

Record of Revision

Version	Revise Date	Page	Content
0	22/Jul/2005		First draft.
0.1	16/Aug/2005	18	Add "(b) In Parallel Data Interface" figure.
0.2	8/Sep/2005	3	A036QN02 V1 only support CCIR-656, serial 8bit. RGB, and TTL 8bit
		6-8	Correct I/O description
		9-14	Modify register setting and description
		18	Delete Note 2 of 3.5.1
		19	Delete "The first line is at 14 th that will be display on panel" of note.
22	Add item "Vsync to 1 st active line" of 3.5.2.1		
24	Add 3-wire serial communication AC timing figure.		
0.3	03/Nov/2005	3	Add A036QN02 V0 support "CCIR-601, YUV" interface
		4	Change panel surface treatment to "Hard Coating 3H" after Dec/ '05.
		11	Add register setting of "parallel RGB data input".
		16-17	Update application circuit
		18-20	Correct symbol. Delete "The first line is at 14th that will be display on panel."
21	Correct third-item from "Hsync pulse width" to "Hsync Period" Add timing parameter "Hsync pluse width", "Vsync period", "Vertical active area", "Vsync pulse width" at 3.5.2.1.		

Contents

GENERAL DESCRIPTION	3
FEATURES	3
1. GENERAL INFORMATION	4
2. ELECTRICAL SPECIFICATIONS	6
2.1 FPC PIN ASSIGNMENT	6
2.2 ABSOLUTE MAXIMUM RATINGS	8
3. ELECTRICAL CHARACTERISTICS	9
3.1 TFT- LCD TYPICAL OPERATION CONDITION	9
3.2 REGISTER INFORMATION	9
3.2.1 REGISTER SETTING	9
3.3 BACKLIGHT DRIVING CONDITIONS	15
3.4 SUGGESTED APPLICATION CIRCUIT	16
3.4.1 SUGGESTED APPLICATION CIRCUIT	16
3.4.2 APPLICATION CIRCUIT WITH USING EXTERNAL LED POWER SOURCE	17
3.5 AC TIMING	18
3.5.1 TIMING DIAGRAM	18
3.5.2 TIMING CONDITION	21
3.6 POWER ON/OFF SEQUENCE	24
3.6.1 INTERNAL AVDD	24
3.6.2 EXTERNAL AVDD	26
5. ABSOLUTE RATINGS OF AMBIENT ENVIRONMENT	30
6. PACKING FORM	31

General Description

A036QN02 V1 is a amorphous transmissive type TFT (Thin Film Transistor) LCD (Liquid crystal Display). This model is composed of TFT-LCD, drive IC, FPC (flexible printed circuit), and backlight unit.

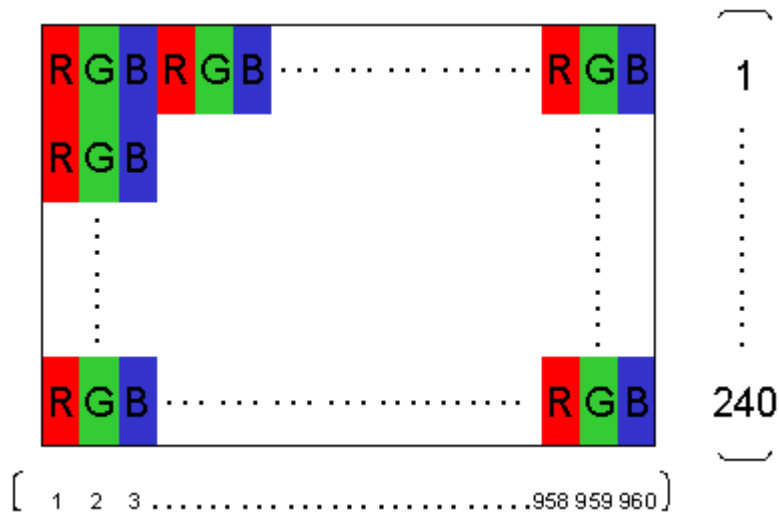
Features

- 3.6-inch display size
- QVGA resolution and stripe dot arrangement
- Premium SIA (**S**mart **I**ntegration **A**dvance). Support below functions
 - Video brightness adjustable
 - Video contrast adjustable
 - Backlight current adjustable
 - Gamma adjustable
 - Hue adjustable
 - OSD (On Screen Display)
- Built in timing controller and two DC-DC controller
- Single 3.3V power supply
- Standby mode supported
- VCOM amplitude selected
- 3-wire register setting
- Low power consumption
- Various interface support:
 - TTL 8-bit;
 - CCIR-656;
 - **CCIR-601, YUV;**
 - Serial 8-bit RGB
- NTSC and PAL standard supported
- 2-in-1 FPC
- Wide viewing angle
- Slim 3.22mm thickness design
- Green design

1. General Information

NO.	Item	Unit	Specification	Remark
1	Display Resolution	dot	960(H)×240(V)	
2	Active Area	mm	72.96(H)×54.72(V)	
3	Screen Size	inch	3.59(Diagonal)	
4	Dot Pitch	mm	0.076(H)×0.228(V)	
5	Color Configuration	--	R. G. B. Stripe	Note 1
6	Color Depth	--	16.7M Colors	Note 2
7	Overall Dimension	mm	84.55(H) × 65.5(V) × 3.22(T)	Note 3
8	Weight	g	TBD (Typical)	
9	Panel surface treatment	--	Hard coating 3H	
10	Display Mode	--	Normally White	

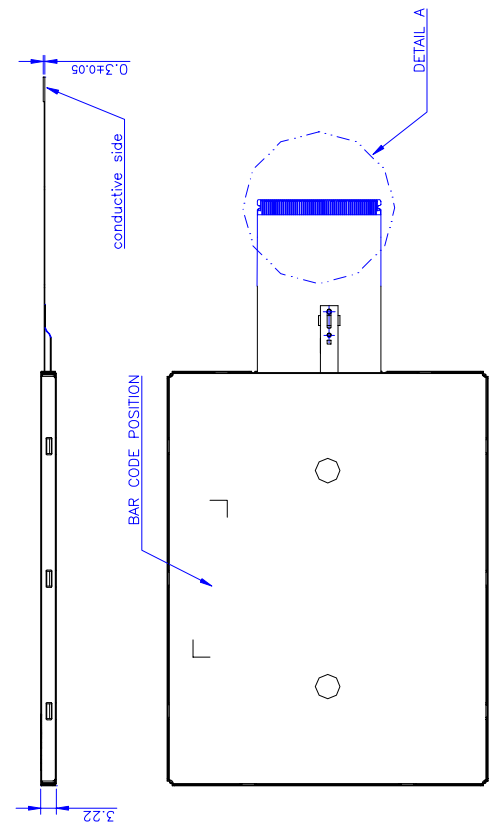
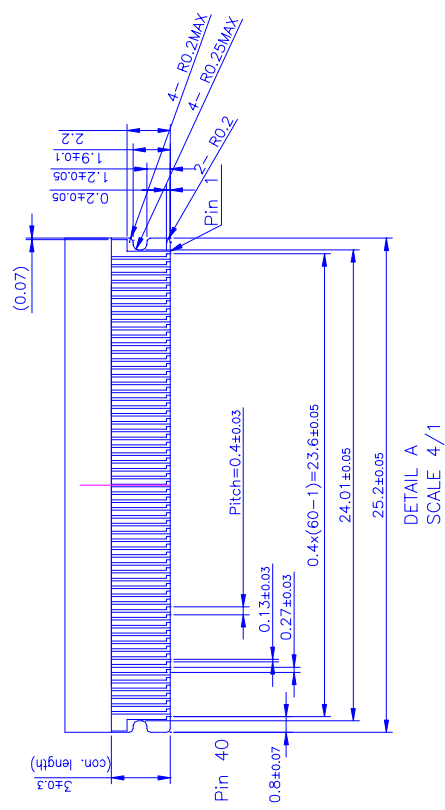
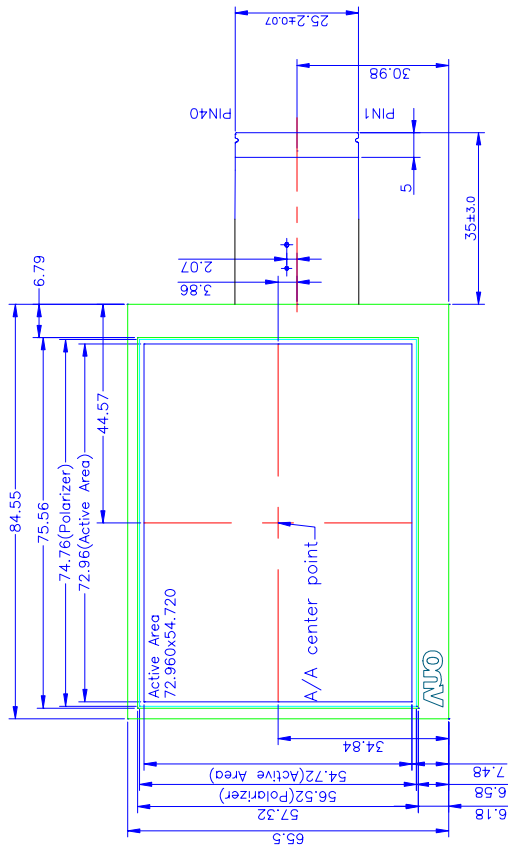
Note 1: Below figure shows dot stripe arrangement.



Note 2: The full color display depends on 8-bit data signal (pin13~36).

Note 3: Not include FPC. Refer next page to get further information.

NOTES:
1.General tolerance is ± 0.2
2.The bending radius of FPC should be larger than 0.6
3.Unit : mm



Outline Dimension of TFT-LCD Module

2. Electrical Specifications

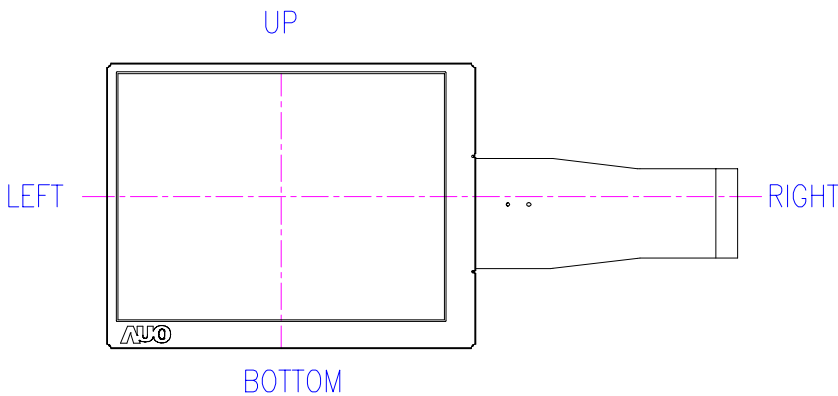
2.1 FPC Pin Assignment

Pin no	Symbol	I/O	Description	Remark
1	AGND	G	Analog ground	
2	AVDD	PS	Analog power	
3	AGND	G	Analog ground	
4	PVDD1	PI	AVDD regulator power	
5	PLL1	I	PLL filter capacitor1	
6	PLL0	I	PLL filter capacitor2	
7	GND	G	System ground	
8	CL□_OSD	O	OSD clock	
9	R_OS	I	OSD Red data	
10	G_OS	I	OSD Green data	
11	B_OS	I	OSD Blue data	
12	En_OS	I	OSD enable	
13	B_0	I	Blue bit0	
14	B_1	I	Blue bit1	
15	B_2	I	Blue bit2	
16	B_3	I	Blue bit3	
17	B_4	I	Blue bit4	
18	B_5	I	Blue bit5	
19	B_6	I	Blue bit6	
20	B_7	I	Blue bit7	
21	G_0	I	Green bit0	
22	G_1	I	Green bit1	
23	G_2	I	Green bit2	
24	G_3	I	Green bit3	
25	G_4	I	Green bit4	

26	G_5	I	Green bit5	
27	G_6	I	Green bit6	
28	G_7	I	Green bit7	
29	R_0	I	Red bit0	
30	R_1	I	Red bit1	
31	R_2	I	Red bit2	
32	R_3	I	Red bit3	
33	R_4	I	Red bit4	
34	R_5	I	Red bit5	
35	R_6	I	Red bit6	
36	R_7	I	Red bit7	
37	DCL□	I	Clock	
38	VSYNC	I	Vertical sync input. Negative polarity	
39	HSYNC	I	Horizontal sync input. Negative polarity	
40	SCL	I	Serial communication clock input	
41	SDA	I	Serial communication data input	
42	CSB	I	Serial communication chip select	
43	VCC	I	Digital power	
44	DRV	O	Signal for power transistor of the PVDD boost converter	
45	DRVLED	O	Signal for power transistor of the LED boost converter	
46	LED_ANODE	I	LED power	
47	FBLED	FI	LED boost regulator feedback	
48	GND	G	System ground	
49	FRP	O	Frame polarity	
50	VCAC	PS	VCOM_AC	
51	PVDD2	PI	Charge pump power supply	
52	C1M	C	Connect capacitor for power circuit	

53	C1P	C	Connect capacitor for power circuit	
54	VINT1	PS	Intermediate voltage for charge pump	
55	C3M	C	Connect capacitor for power circuit	
56	C3P	C	Connect capacitor for power circuit	
57	Vgoff_L	PS	Negative power for gate driver output	
58	Vgoff_H	PS	Negative power for gate driver output	Vgoff_L+VCAC
59	VGH	PS	Positive power for gate driver outputs	
60	VCOM	O	VCOM	

I: Digital signal input, O: Digital signal output, G: GND, PI: Power input
 C: Power set capacitor connect pin, FI: Feedback input, PS: Power setting,



2.2 Absolute Maximum Ratings

Item	Symbol	Condition	Min.	Max.	Unit	Remark
Power voltage	VCC	GND=0	-0.5	5	V	Note 1
	AVDD	AGND=0	-0.5	7	V	Note 1
Operating temperature	T _{opa}	--	0	60	°C	Ambient Temperature
Storage temperature	T _{stg}	--	-25	80	°C	Ambient Temperature

Note 1: Functional operation should be restricted under normal ambient temperature.

3. Electrical Characteristics

The following items are measured under stable condition and suggested application circuit.

3.1 TFT- LCD Typical Operation Condition

Item		Symbol	Min.	Typ.	Max.	Unit	Remark
Power supply		VCC	2.7	3.3	3.6	V	
		AVDD	5.0	5.25	5.5	V	
		VGH	11.5	12.5	13.5	V	
		VGL		-VGH		V	
Output Signal	H Level	V_{OH}	$V_{CC}-0.4$				
	L Level	V_{OL}	GND		GND+0.4		
Input Signal	H Level	V_{IH}	$0.7V_{CC}$	-	V_{CC}	V	
	L Level	V_{IL}	GND	-	$0.3V_{CC}$	V	
Output current	H Level	IOH		10		uA	
	L Level	IOL		-10		uA	
Analog stand by current		I_{st}			200	uA	DCL□ is stopped
VCOM		V_{CAC}	4.0	5.6	7.0	Vp-p	AC component
		V_{CDC}		TBD		V	DC component

Note: Above every operation range is based on stable operation from suggested application circuit 3.5.1.

3.2 Register Information

MSB

LSB

D15	D14	D13	D12	D11	D10	D9	D8	D7	D6	D5	D4	D3	D2	D1	D0
Register address				DATA											

3.2.1 Register Setting

No.	Description	Address				Initial default value											
		D15	D14	D13	D12	D11	D10	D9	D8	D7	D6	D5	D4	D3	D2	D1	D0
R0	System setting	0	0	0	0	0	0	0	0	0	0	1	1	1	1	0	1
R1	Timing setting	0	0	0	1	0	0	1	1	1	0	1	0	0	0	0	0
R2	Timing setting	0	0	1	0	0	X	X	X	1	0	0	0	0	0	0	0
R3	Timing setting	0	0	1	1	0	0	0	0	0	0	0	1	0	0	0	0
R4	Timing setting	0	1	0	0	0	0	0	1	1	1	0	1	0	0	0	0

R5	Data setting	0	1	0	1	0	X	1	1	1	1	0	0	0	0	1	1
R6	Brightness	0	1	1	0	0	X	X	X	1	0	0	0	0	0	0	0
R7	Hue/Saturation	0	1	1	1	0	X	1	1	1	0	0	0	1	0	0	0
R8	VCOM AC/DC	1	0	0	0	0	0	1	0	0	0	0	1	1	0	0	0
R9	PLL setting	1	0	0	1	0	0	X	X	1	1	0	0	0	0	0	0
R10	DAC setting	1	0	1	0	0	X	X	X	X	X	0	0	0	0	0	0
R11	Contrast/LED	1	0	1	1	0	X	1	0	0	0	0	0	0	1	0	0
R12	Power supply	1	1	0	0	0	X	X	1	0	0	0	0	0	0	0	0

Note 1: "X" is "Don't care". " " could be modified by customer.

Register R0

Bit	Function
7	MOD function "0" → VA,VB,VC are generated by CPH1,CPH2,CPH3(default) "1" → VA,VB,VC are generated by CPH1.
6	Vertical shift selection "0" → Scan down.(default) "1" → Scan up.
5	Horizontal shift selection "0" → Shift left. "1" → Shift right.(default)
4	Global reset "0" → Chip reset. "1" → Normal operation.(default)
3	Standby mode "0" → Standby. "1" → Normal operation.(default)
2	PVDD DC-DC shutdown "0" → Converter is off. "1" → Converter is on.(default)
1	LED DC-DC shutdown "0" → Converter is off.(default) "1" → Converter is on.
0	Charge pump shutdown "0" → Converter is off. "1" → Converter is on.(default)

Note: **Bold blue sentence** is suggested setting for A036QN02 V1.

Register R1

Bit	Function
10~9	Vertical resolution selection "00" → Vertical resolution 240 lines. "01" → Vertical resolution 234 lines.(default)
8~6	Horizontal resolution selection "011" → Horizontal resolution 960 dots. "110" → Horizontal resolution 1440 dots.(default)
5	Automatic/Manual PAL selection. "0" → PAL/NTSC auto detection disable. "1" → Auto detection enable.(default)

4	NTSC/PAL selection.	"0" → NTSC input format.(default) "1" → PAL input format.
3~0	Input data format.	"0XX0" → UPS051.(default) "0XX1" → Parallel RGB data input. "1000" → UPS052 320RGB 24.54MHz. "1001" → UPS052 360RGB 27MHz. "1010" → YUV mode A 24.54MHz. "1011" → YUV mode A 27MHz. "1100" → YUV mode B 24.54MHz. "1101" → YUV mode B 27MHz. "1110" → CCIR656 24.54MHz. "1111" → CCIR656 27MHz.

Note: **Bold blue sentence** is suggested setting for A036QN02 V1. Customer needs to manually set bit 10~6.

Register R2

Bit	Function
7~0	Horizontal data Start delay selection "00000000" → Ths=Thstyp-128 CL□ period. "10000000" → Ths=Thstyp.(default) "11111111" → Ths=Thstyp+127 CL□ period.

Note 1: **Bold blue sentence** is suggested setting for A036QN02 V1.

Note 2: Ths: Horizontal data start pulse.

Thstyp: Typical values of horizontal data start pulse.

Register R3

Bit	Function
10	Gate driver Vgoff setting "0" → Vgoff=Vgoff_L. (default) "1" → Vgoff switches between Vgoff_L and Vgoff_H.
9	Dopt function "0" → R,G,B are sample simultaneous.(default) "1" → R,G,B are sample sequentially.
8~5	Source driver start pulse delay selection. "0000" → Horizontal start display=Ths.(default) "1111" → Horizontal start display=Ths+15 CL□ period (default)
4~0	Gate driver start pulse delay selection "00000" → Tstv=Tstvtyp-16 Hsync period "10000" → Tstv=Tstvtyp.(default) "11111" → Tstv=Tstvtyp+15 Hsync period

Note: **Bold blue sentence** is suggested setting for A036QN02 V1. Customer needs to manually set bit 10.

Register R4

Bit	Function
10~9	Gate driver start pulse delay selection “00” → default “01” → Odd frame advance “10” → Even frame advance

Note 1: **Blue sentence** is suggested setting for A036QN02 V1.

Register R5

Bit	Function
9~8	Display level of Green OSD data “00” → 0.25 * white level “01” → 0.5 * white level “10” → 0.75 * white level “11” → 1 * white level (default)
7~6	Display level of Blue OSD data “00” → 0.25 * white level “01” → 0.5 * white level “10” → 0.75 * white level “11” → 1 * white level (default)

Note: **Blue sentence** is suggested setting for A036QN02 V1.

Register R6

Bit	Function
7~0	Brightness level adjustment “00000000” → -128 “10000000” → 0 (default) “11111111” → +127

Note 1: **Blue sentence** is suggested setting for A036QN02 V1.

Note 2: Display data=(RGB data) * Contrast +Brightness

Contrast setting is on register R11.

Register R7

Bit	Function
9~8	Display level of Red OSD data “00” → 0.25 * white level “01” → 0.5 * white level “10” → 0.75 * white level “11” → 1 * white level (default)
7~4	YUV Hue color adjustment “0000” → -40° “1000” → 0° (default) “1111” → 35°
3~0	YUV saturation color adjustment “0000” → 0 “1000” → 1 (default) “1111” → 1.875

Note 1: **Blue sentence** is suggested setting for A036QN02 V1.

Note 2: $C_B = SAT * (C_{B0} * \cos(HUE) + C_{R0} * \sin(HUE))$

$C_R = SAT * (C_{R0} * \cos(HUE) - C_{B0} * \sin(HUE))$

Saturation and Hue correction functions are only available for CCIR input format.

Register R8

Bit	Function	
10~5	VCOM DC level adjustment	"000000" → 0V "010000" → 0.55V (default) "110000" → 2.1V
4	VCOM DC Enable function	"0" → VCOM DC function disabled. VCOM pin is Hi-Z. "1" → Enable (default)
3~0	VCOM AC level adjustment.	"0000" → 4.0V "1000" → 5.6V (default) "1111" → 7.0V

Note: **Blue sentence** is suggested setting for A036QN02 V1.

Register R9

Bit	Function	
10	PLL enable selection	"0" → PLL disable (default) "1" → PLL enable
7~0	PLL divider selection	"00000000" → PLL divider -192. "11000000" → PLL divider define according horizontal resolution (default) "11111111" → PLL divider +63

Note: **Blue sentence** is suggested setting for A036QN02 V1.

Register R10

Bit	Function	
5	FRP source driver polarity inversion selection.	"0" → FRP in phase with the polarity of the DAC output (default) "1" → FRP inverted with respect to the polarity of the DAC output
4~3	Gamma correction selection	"00" → Linear Gamma (default) "01" → Gamma1. "10" → Gamma2. "11" → Gamma3.
2~0	DAC dynamic range adjustment.	"000" → 1.00V to 4.00V (default) "001" → 0.89V to 4.11V "010" → 0.77V to 4.23V

	“011” → 0.66V to 4.34V “100” → 0.54V to 4.46V “101” → 0.43V to 4.57V “110” → 0.31V to 4.69V “111” → 0.20V to 4.80V
--	--

Note: **Blue sentence** is suggested setting for A036QN02 V1.

Register R11

Bit	Function
9~6	RGB contrast level adjustment “0000” → 0 “1000” → 1 (default) “1111” → 1.875
4~3	DCDC maximum duty cycle selection. “00” → 75% (default) “01” → 80% “10” → 85% “11” → 90%
2~0	DCDC feedback level adjustment. “000” → 0.4V “001” → 0.45V “010” → 0.50V “011” → 0.55V “100” → 0.60V (default) “101” → 0.65V “110” → 0.70V “111” → 0.75V

Note: **Blue sentence** is suggested setting for A036QN02 V1.

Register R12

Bit	Function
8	AVDD power supply external adjustment. “0” → AVDD generated by the internal regulator. “1” → AVDD provided by an external regulator (default)

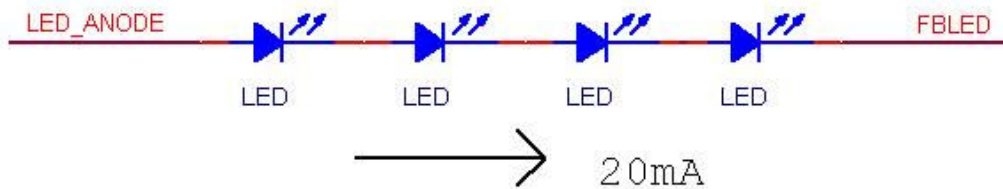
Note 1: Application circuit is in chapter 3.4

Note 2: **Blue sentence** is suggested setting for A036QN02 V1. Customer needs to manually set bit 8.

3.3 Backlight Driving Conditions

Parameter	Symbol	Min.	Typ.	Max.	Unit	Remark
LED Current	I_L	---	20	---	mA	single serial
LED Voltage	V_L	---	13.2	16	V	single serial
LED Life Time	L_L	10,000	---	---	Hr	Note 2, 3

Note 1: LED backlight is four LEDs serial type.

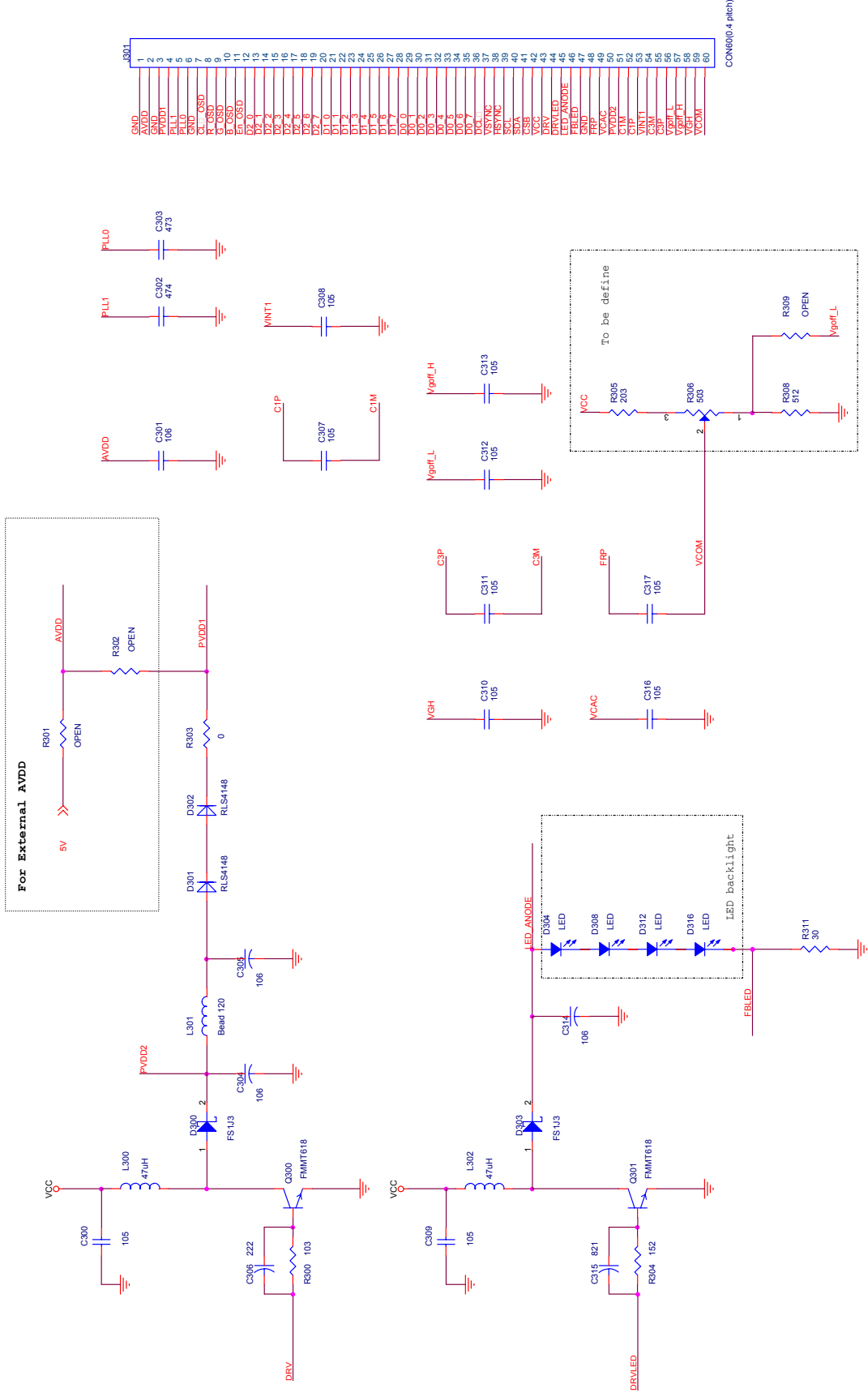


Note 2 :Define “LED Lifetime”: brightness is decreased to 50% of the initial value. LED Lifetime is restricted under normal condition, ambient temperature = 25°C and LED current = 20mA.

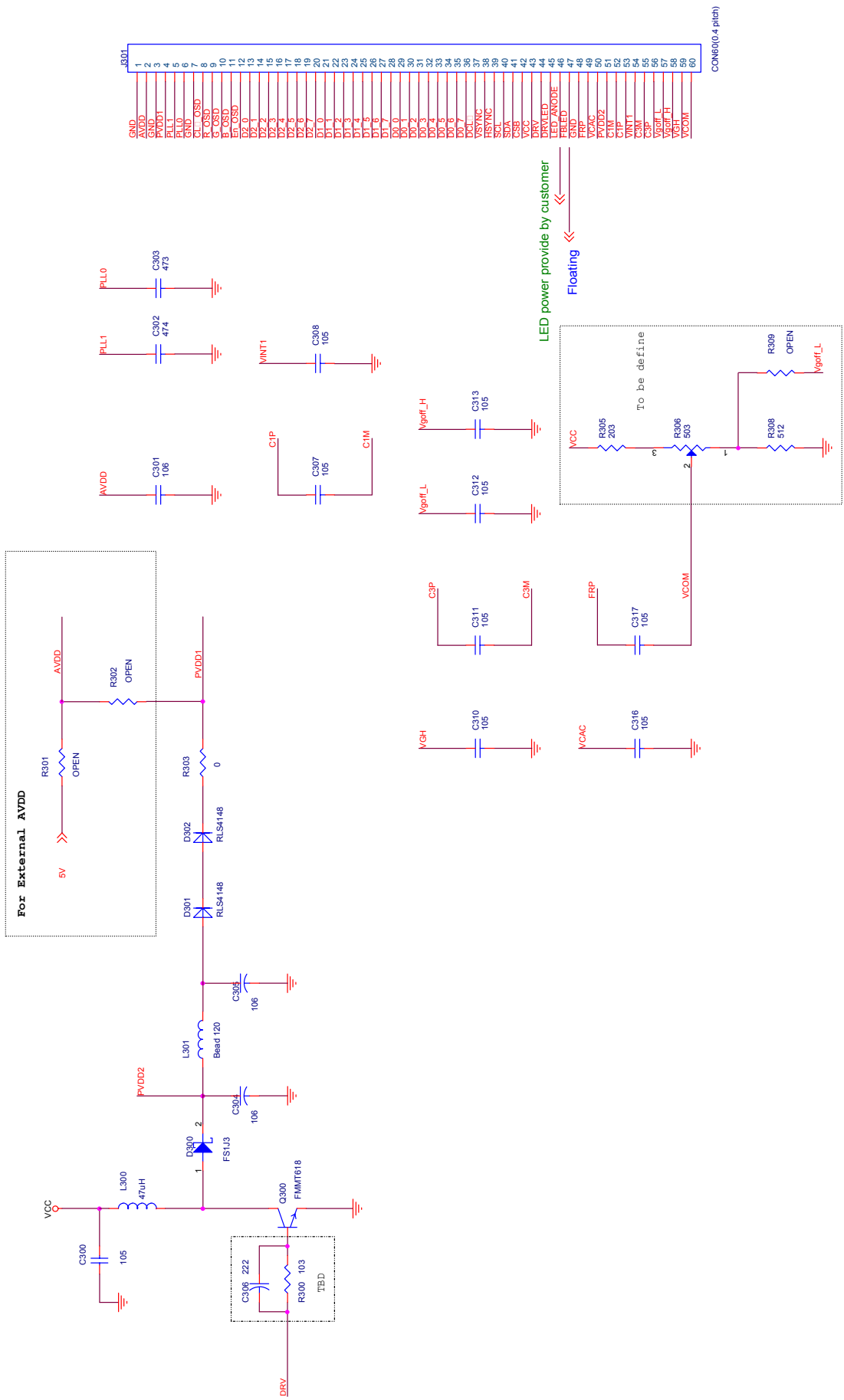
Note 3: If it uses larger LED current I_L more than 20mA, it maybe decreases the LED lifetime.

3.4 Suggested Application Circuit

3.4.1 Suggested Application Circuit Using internal LED Power Source



3.4.2 Application Circuit With Using External LED Power Source

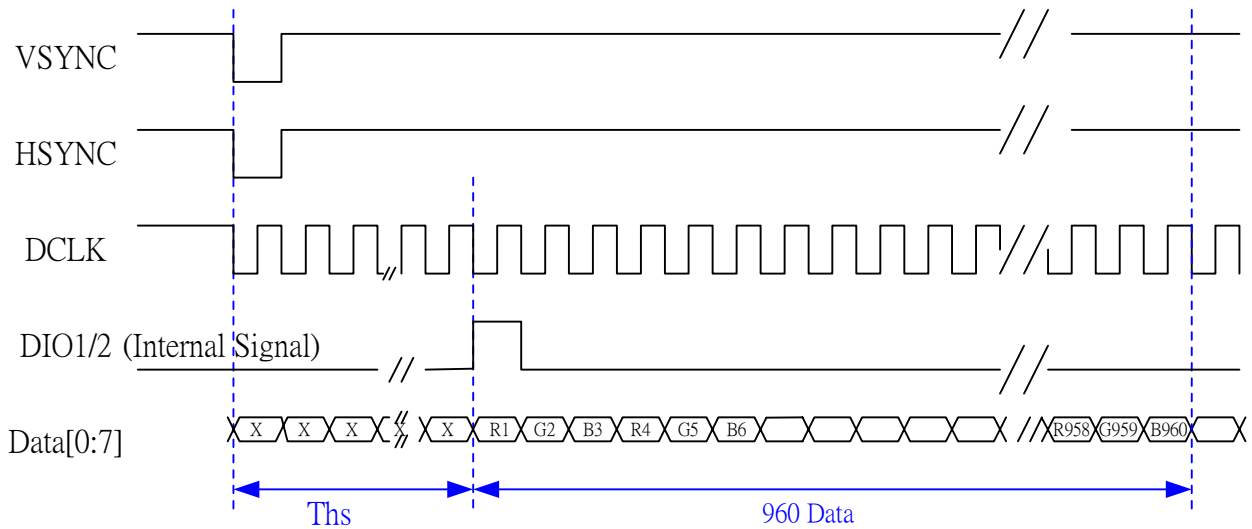


3.5 AC Timing

3.5.1 Timing Diagram

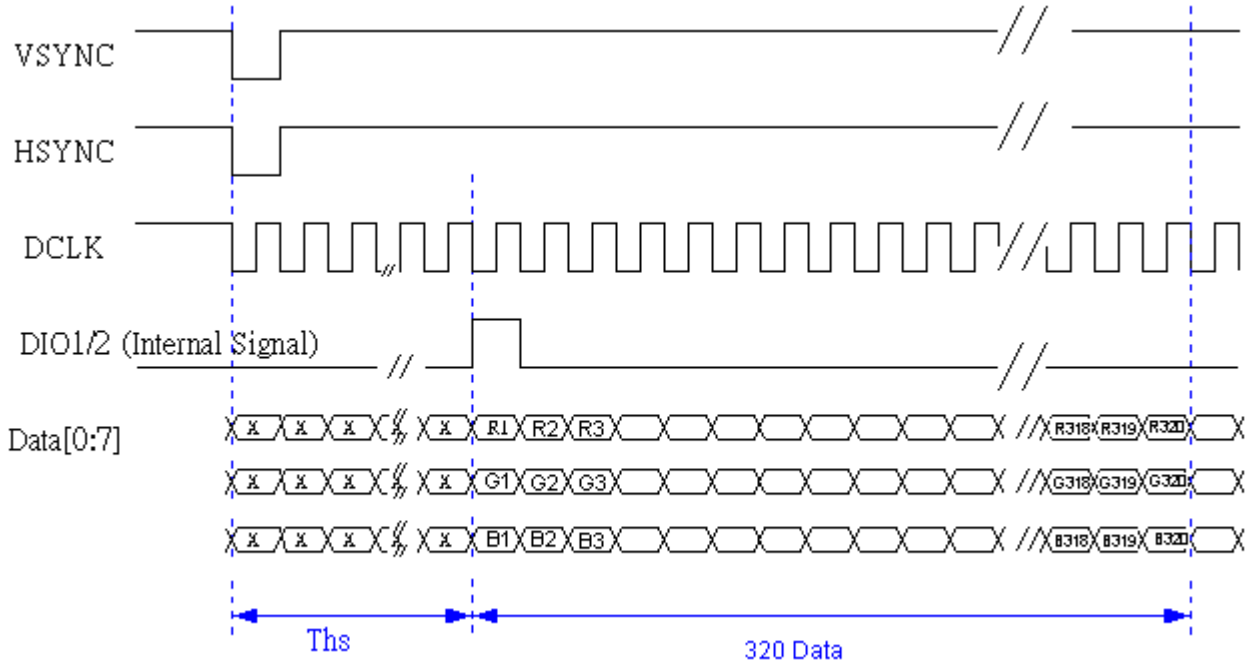
3.5.1.1 Relationship of HSYNC, VSYNC, DCLK, and Serial Data

(a) In Serial Data Interface

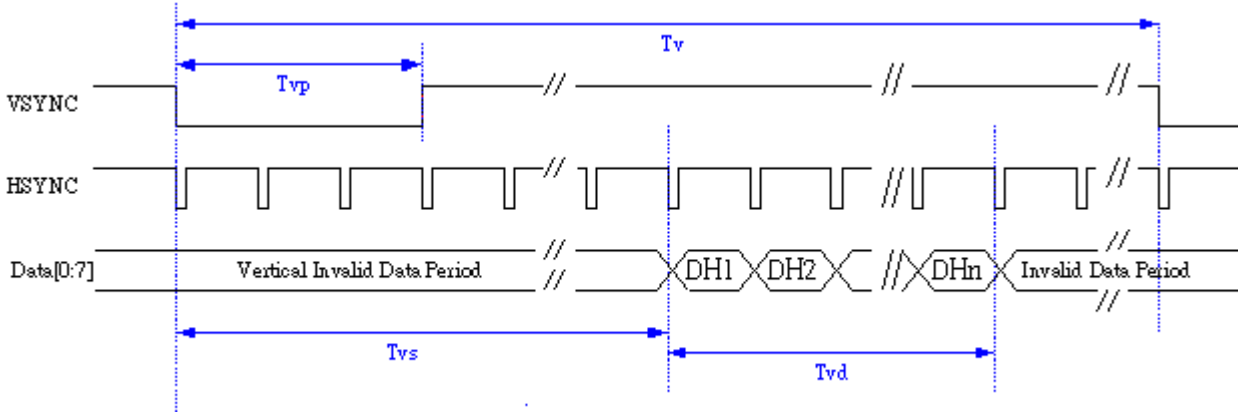


Note : DIO1/2 is "internal start pulse" to latch data.

(b) In Parallel Data Interface



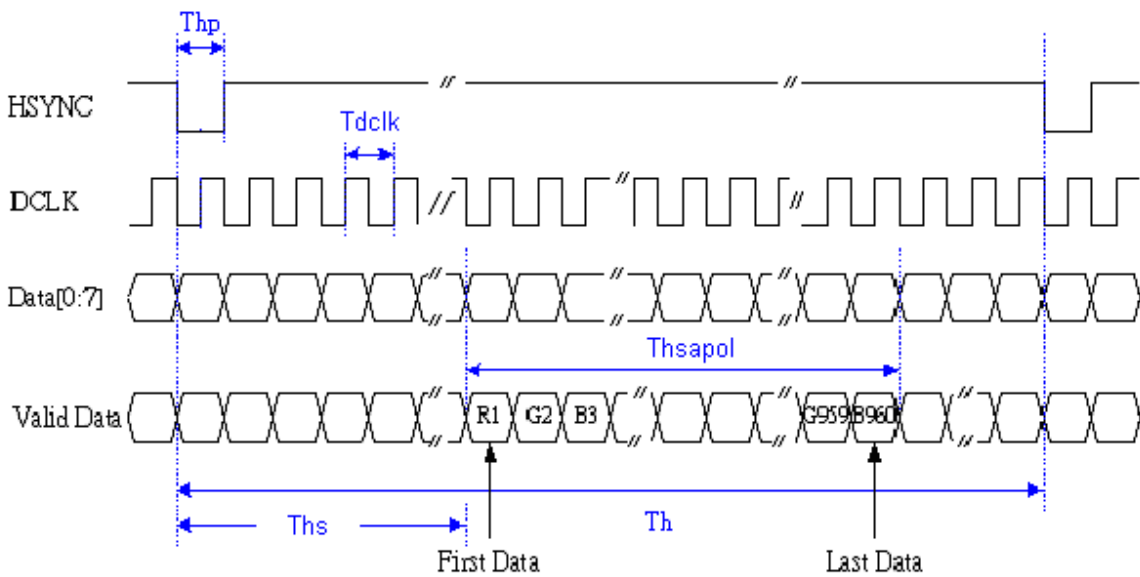
3.5.1.2 Vertical Timing of Input



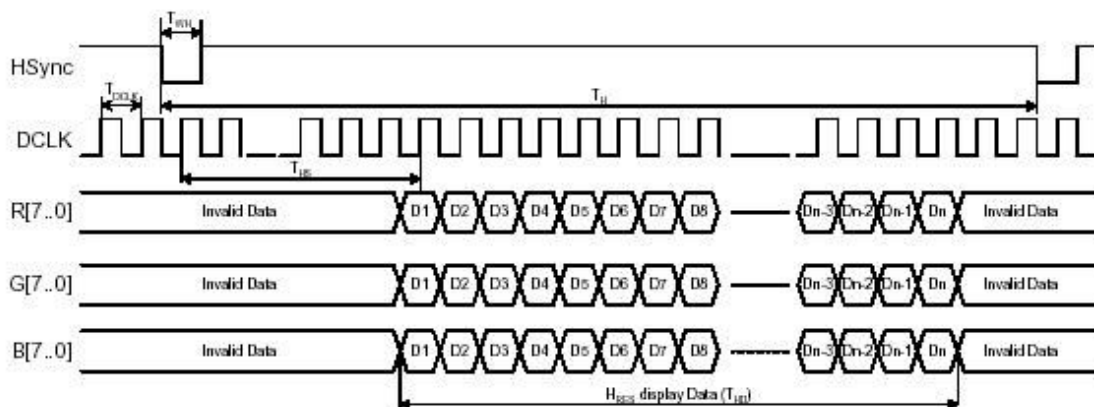
Note : "Tvs" is the blanking area of VSYNC.

3.5.1.3 Horizontal Timing of Input

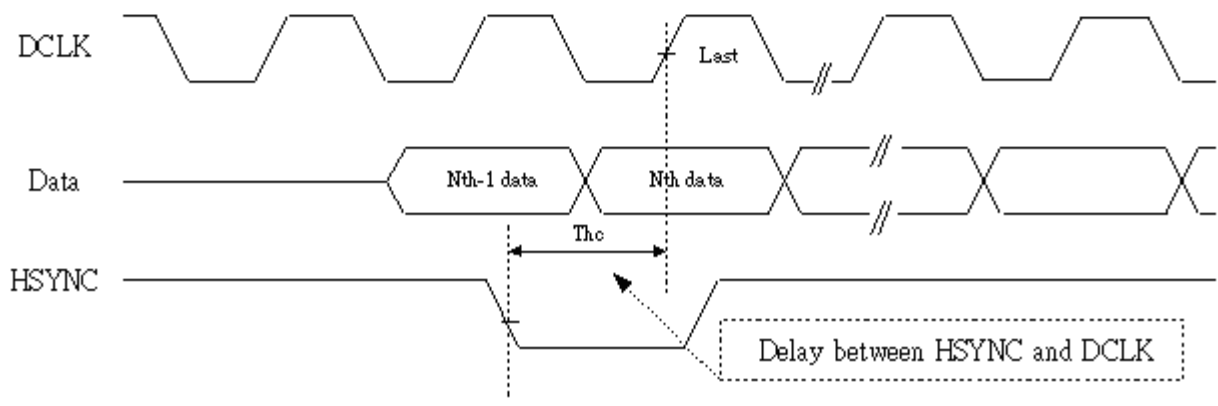
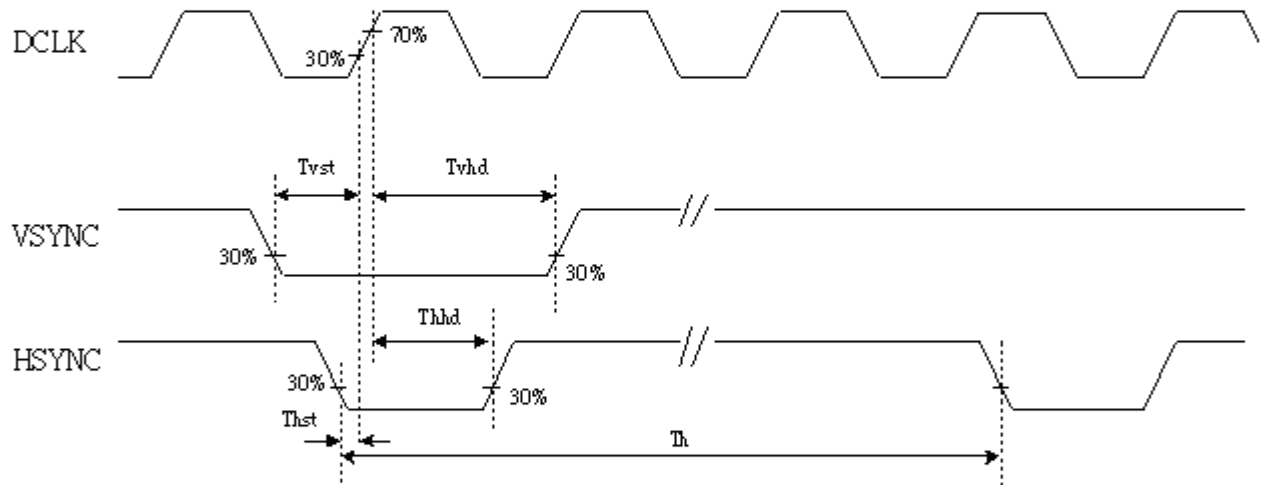
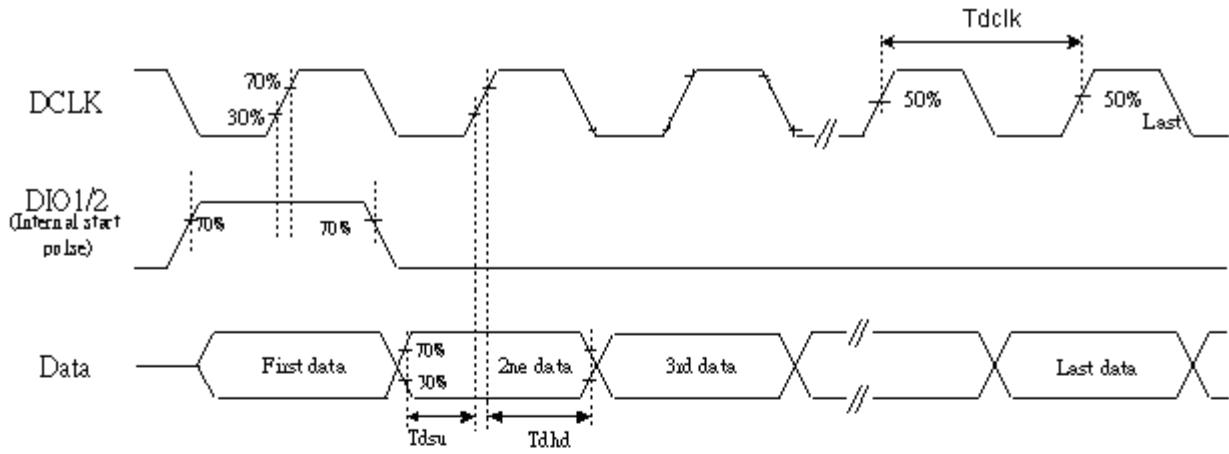
(a) Serial data input



(b) Parallel data input



3.5.1.4 Detail Driving Timing



3.5.2 Timing condition

3.5.2.1. Sync Setting

Parameter	Symbol	Min.	Typ.	Max.	Unit.
Clock pulse duty	T_{cw}	40	50	60	%
Delay between Hsync and DCL□	T_{HC}	-	-	1.0	DCL□
Hsync Period	T_h	60	63.56	67	us
Hsync pulse width	T_{hp}	1			DCL□
Vsync setup time	T_{vst}	12	-	-	ns
Vsync hold time	T_{vhd}	12	-	-	ns
Hsync hold time	T_{hhd}	12	-	-	ns
Data set up time	T_{dsu}	12	-	-	ns
Data hold time	T_{dhd}	12	-	-	ns
Vsync to 1 st active line	$T_{vs(NTSC)}$		17		Hs
	$T_{vs(PAL)}$		22		Hs
Vsync period	$T_v(NTSC)$		262		Hs
	$T_v(PAL)$		312		Hs
Vertical active area	T_{vd}		240		Hs
Vsync pulse width	T_{vp}	1			Hs

3.5.2.2 UPS051 Series Input Timing:

Parameter	Symbol	Min.	Typ.	Max.	Unit.
DCL□ frequency	F_{dclk}	-	19.5	-	MHz
DCL□ period	T_{dclk}	-	51.30	-	ns
Hsync period	T_h	-	1240	-	DCL□
Active area	T_{hsapol}	-	960	-	DCL□
Delay from Hsync to 1 st data input	T_{hs}		181		DCL□

3.5.2.3 UPS051 Parallel Input Timing:

Parameter	Symbol	Min.	Typ.	Max.	Unit.
DCL□ frequency	F_{dclk}	-	6.5	-	MHz
DCL□ period	T_{dclk}	-	154	-	ns
Hsync period	T_h	-	413	-	DCL□
Active area	T_{hsapol}	-	320	-	DCL□
Delay from Hsync to 1 st data input	T_{hs}		60		DCL□

3.5.2.4 UPS052, YUV input timing:

C.1: 24.54MHz

Parameter	Symbol	Min.	Typ.	Max.	Unit.
-----------	--------	------	------	------	-------

DCL□ frequency	Fdclk	-	24.54	-	MHz
DCL□ period	Tdclk	-	40	-	ns
Delay from Hsync to 1 st data input	Ths		252		DCL□

C.2: 27MHz

Parameter	Symbol	Min.	Typ.	Max.	Unit.
DCL□ frequency	Fdclk	-	27	-	MHz
DCL□ period	Tdclk	-	37	-	ns
Delay from Hsync to 1 st data input	Ths		252		DCL□

3.5.2.5 CCIR input timing:

D.1: 24.54MHz NTSC/PAL

Parameter	Symbol	Min.	Typ.	Max.	Unit.
DCL□ frequency	Fdclk	-	24.54	-	MHz
DCL□ period	Tdclk	-	40	-	ns
Delay from Hsync to 1 st data input	Ths		277		DCL□

D.2: 27MHz NTSC

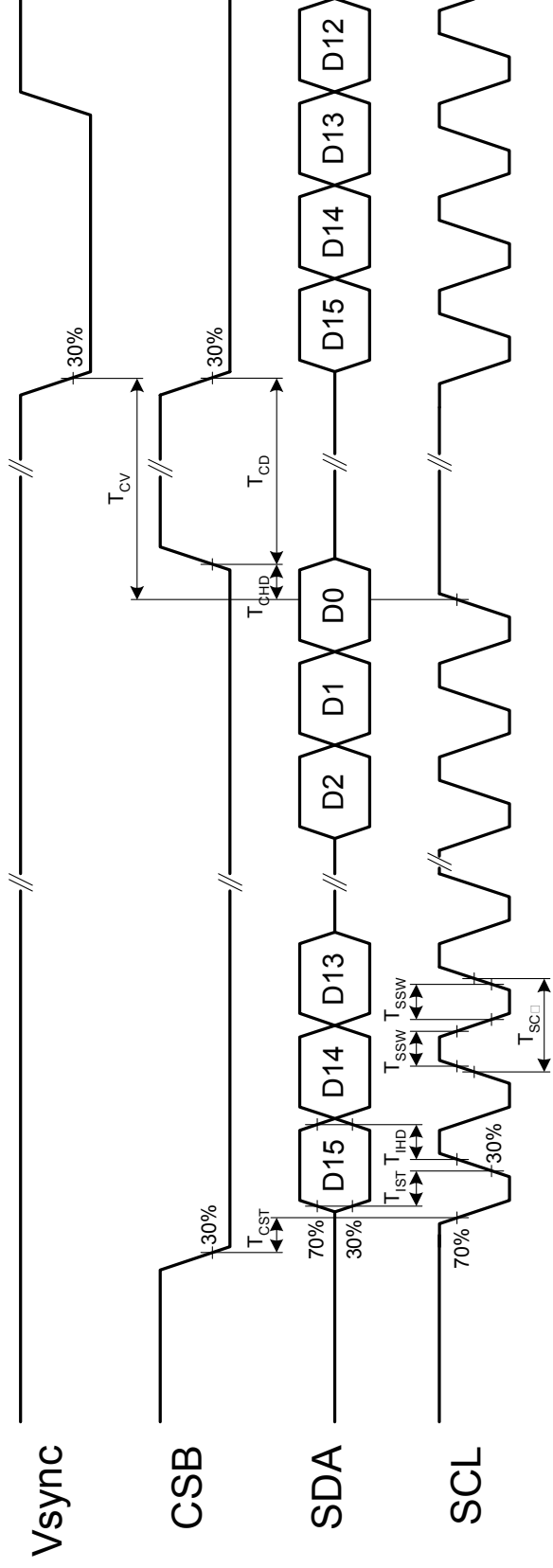
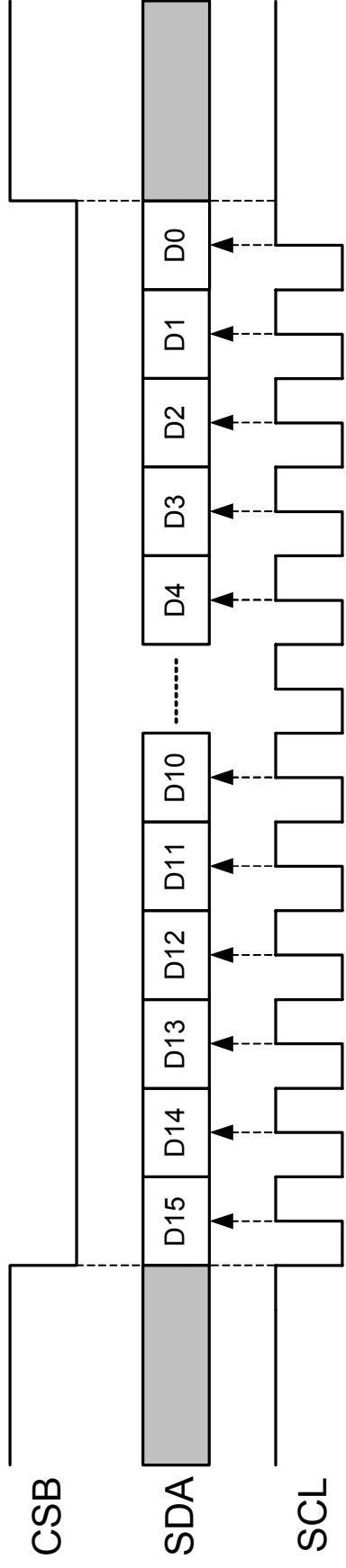
Parameter	Symbol	Min.	Typ.	Max.	Unit.
DCL□ frequency	Fdclk	-	27	-	MHz
DCL□ period	Tdclk	-	37	-	ns
Delay from Hsync to 1 st data input	Ths		273		DCL□

D.3: 27MHz PAL

Parameter	Symbol	Min.	Typ.	Max.	Unit.
DCL□ frequency	Fdclk	-	27	-	MHz
DCL□ period	Tdclk	-	37	-	ns
Delay from Hsync to 1 st data input	Ths		285		DCL□

3.5.2.6 3-wire serial communication AC timing

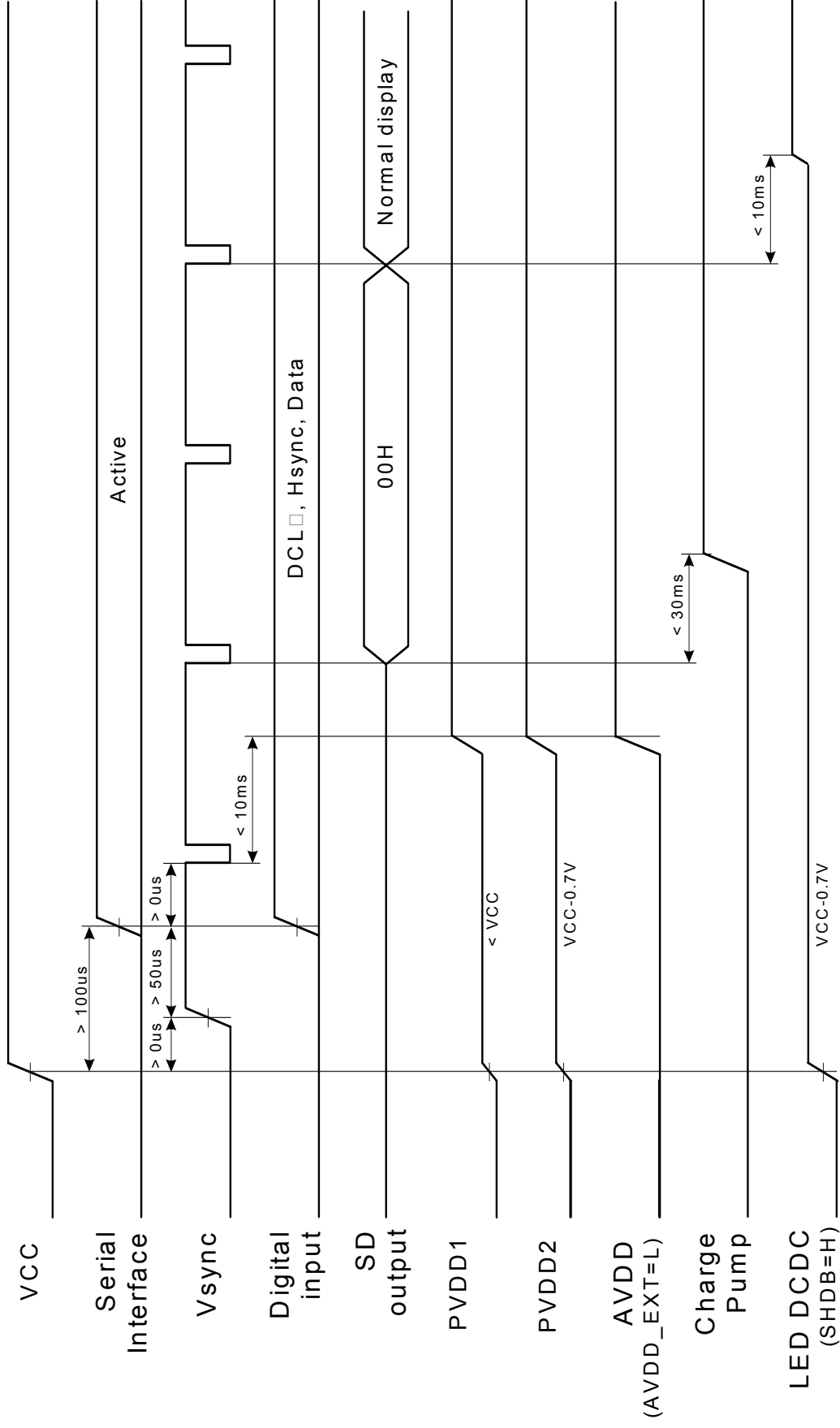
Parameter	Symbol	Min.	Typ.	Max.	Unit
Serial clock	Tsck	320			ns
SCL pulse duty	Tscw	40	50	60	%
CSB hold time	Tcst	120			ns
Serial data setup time	Tist	120			ns
Serial data hold time	Tiht	120			ns
Serial clock high/low	Tssw	120			ns
Chip select distinguish	Tcd	1			us
CSB to Vsync Time	Tcv	1			us



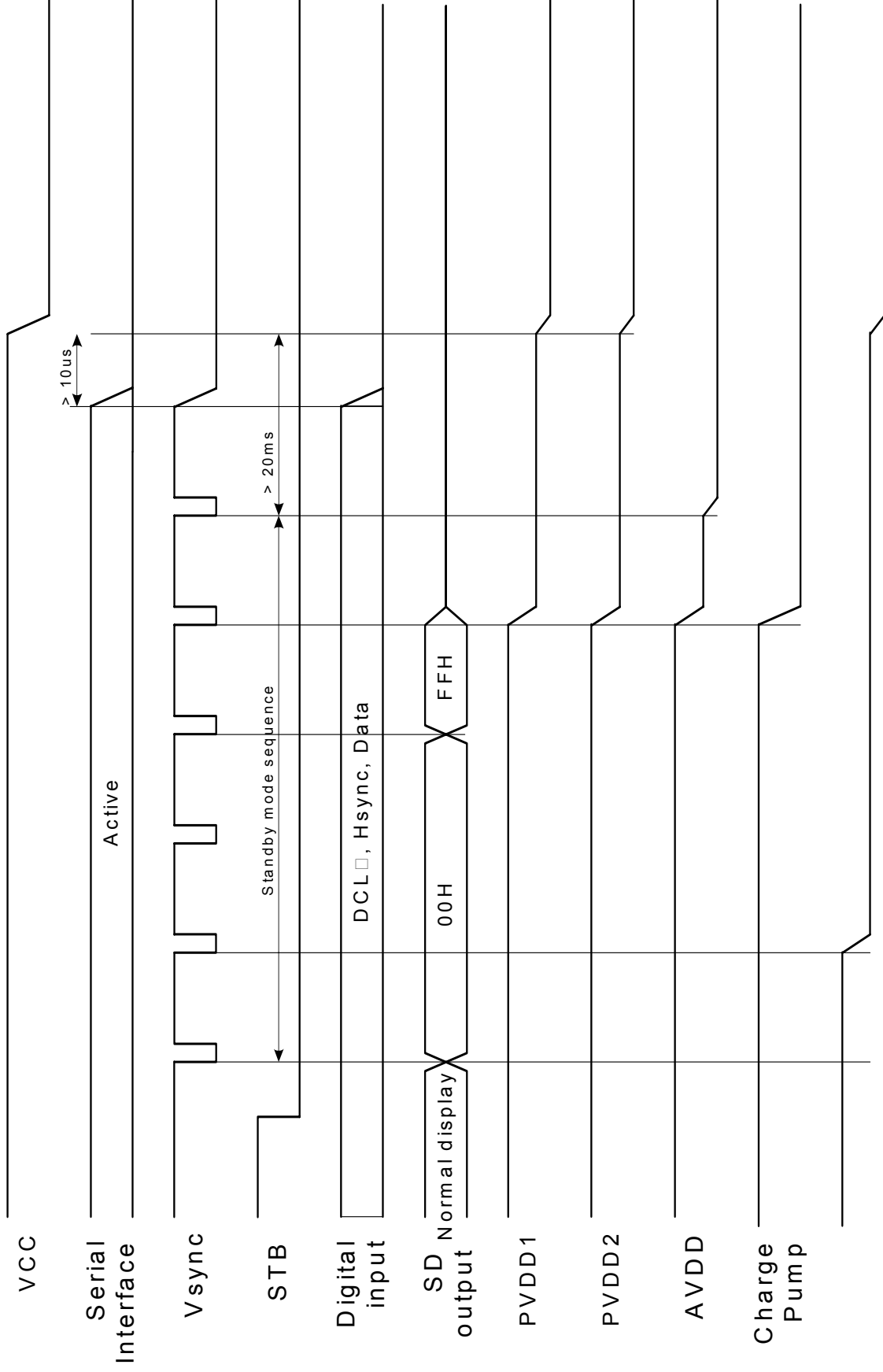
3.6 Power on/off sequence

3.6.1 Internal AVDD

3.6.1.1 Power on sequence

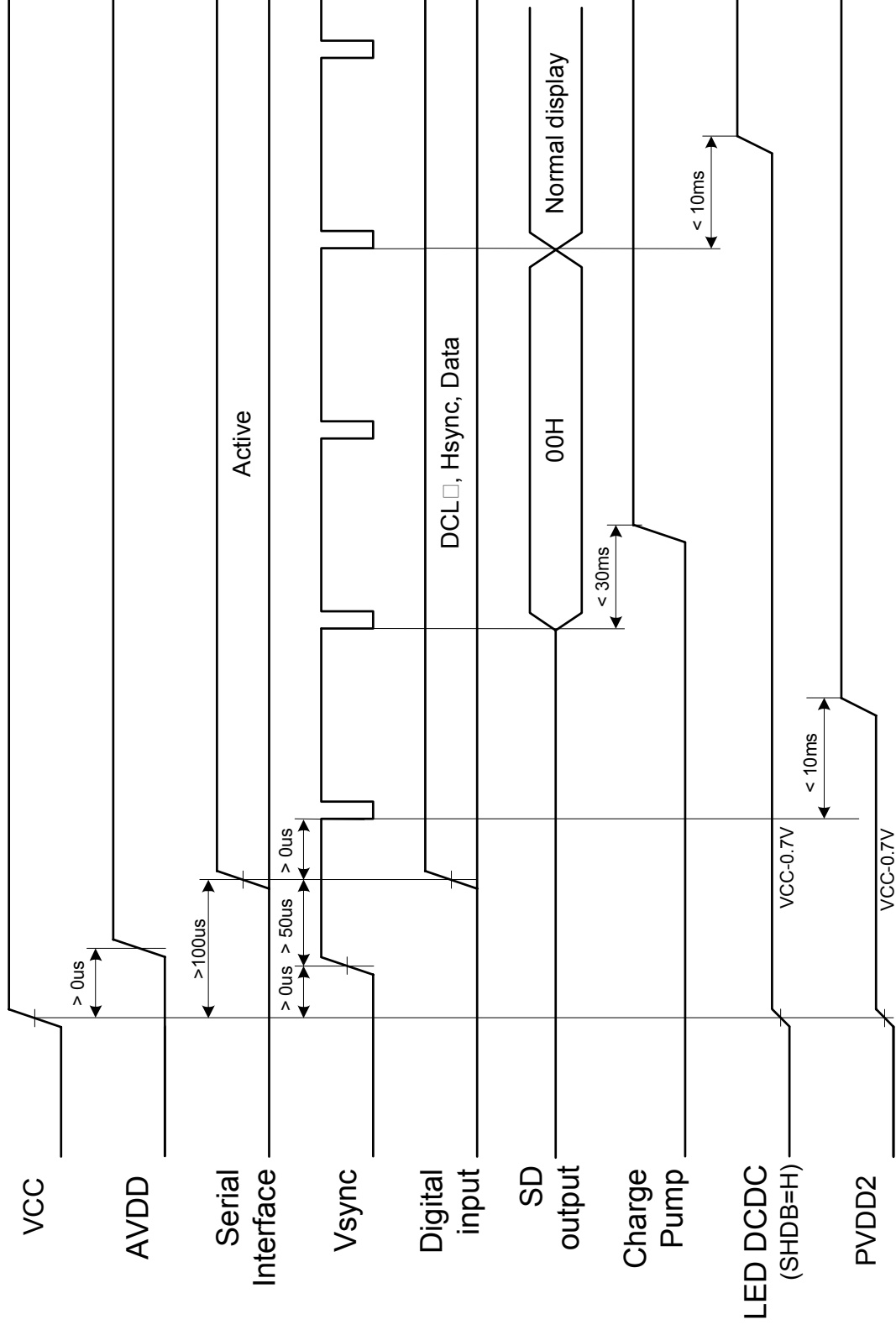


3.6.1.2 Power off sequence

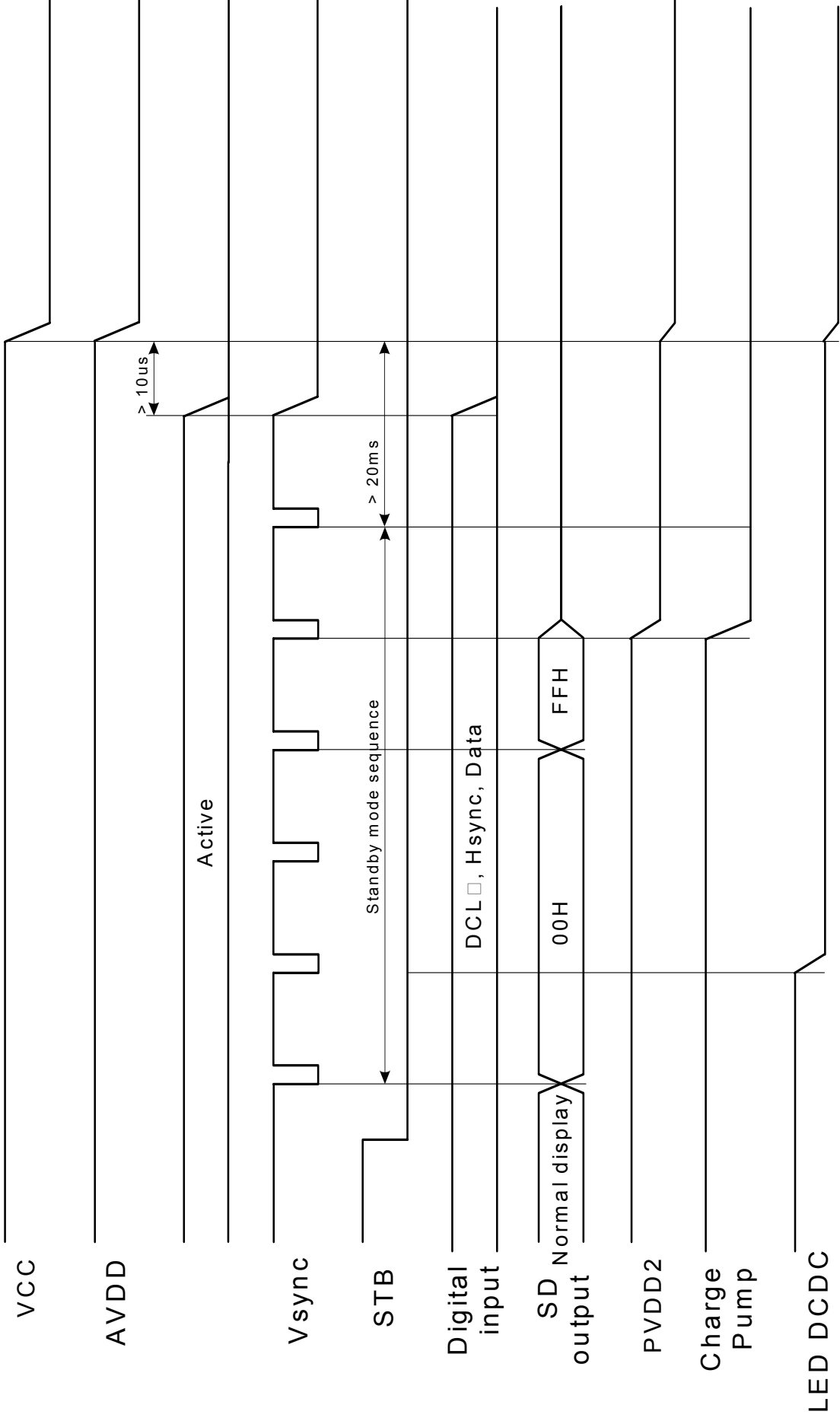


3.6.2 External AVDD

3.6.2.1 Power on sequence



3.6.2.2 Power off sequence



4. Optical specification

Item	Symbol	Condition	Min.	Typ.	Max.	Unit	Remark
Response Time							
Rise	Tr	$\theta = 0^\circ$	-	TBD	40	ms	Note 4
Fall	Tf		-	TBD	60	ms	
Contrast ratio	CR	At optimized viewing	--	TBD	-		Note 6, 7
Viewing Angle							
Top		$CR \geq 10$	-	40	-	deg.	Note 8
Bottom			-	60	-		
Left			-	60	-		
Right			-	60	-		
Brightness	Y_L	$\theta = 0^\circ$	180	250	-	cd/m ²	Note 9
White Chromaticity	X	$\theta = 0^\circ$		TBD			
	y	$\theta = 0^\circ$		TBD			

Note 1: Measurement is in the dark room, optical ambient temperature =25°C, and backlight current IL=20 mA

Note 2: To be measured in the dark room.

Note 3: To be measured on the center area of panel with a field angle of 1° by Topcon luminance meter BM-7, after 10 minutes operation.

Note 4: Definition of response time:

The output signals of photo detector are measured when the input signals are changed from “black” to “white”(falling time) and from “white” to “black”(rising time), respectively.

Note 5. From liquid crystal characteristics, response time will become slower and the color of panel will become darker when ambient temperature is below 25°C.

Note 6. Definition of contrast ratio:

Contrast ratio is calculated with the following formula.

$$\text{Contrast ratio (CR)} = \frac{\text{Photo detector output when LCD is at "White" state}}{\text{Photo detector output when LCD is at "Black" state}}$$

Note 7. White $V_i = V_{i50} + \overline{1.5V}$

Black $V_i = V_{i50} \pm 2.0V$

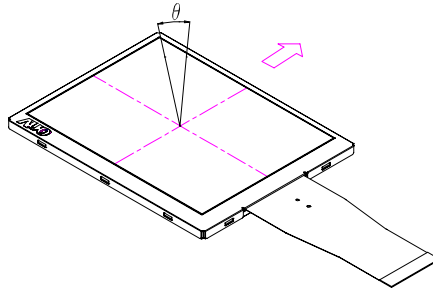
“ \pm ” means that the analog input signal swings in phase with COM signal.

“ $\overline{+}$ ” means that the analog input signal swings out of phase with COM signal.

V_{i50} : The analog input voltage when transmission is 50%

The 100% transmission is defined as the transmission of LCD panel when all the input terminals of module are electrically opened.

Note 8. Definition of viewing angle: refer to figure as below.



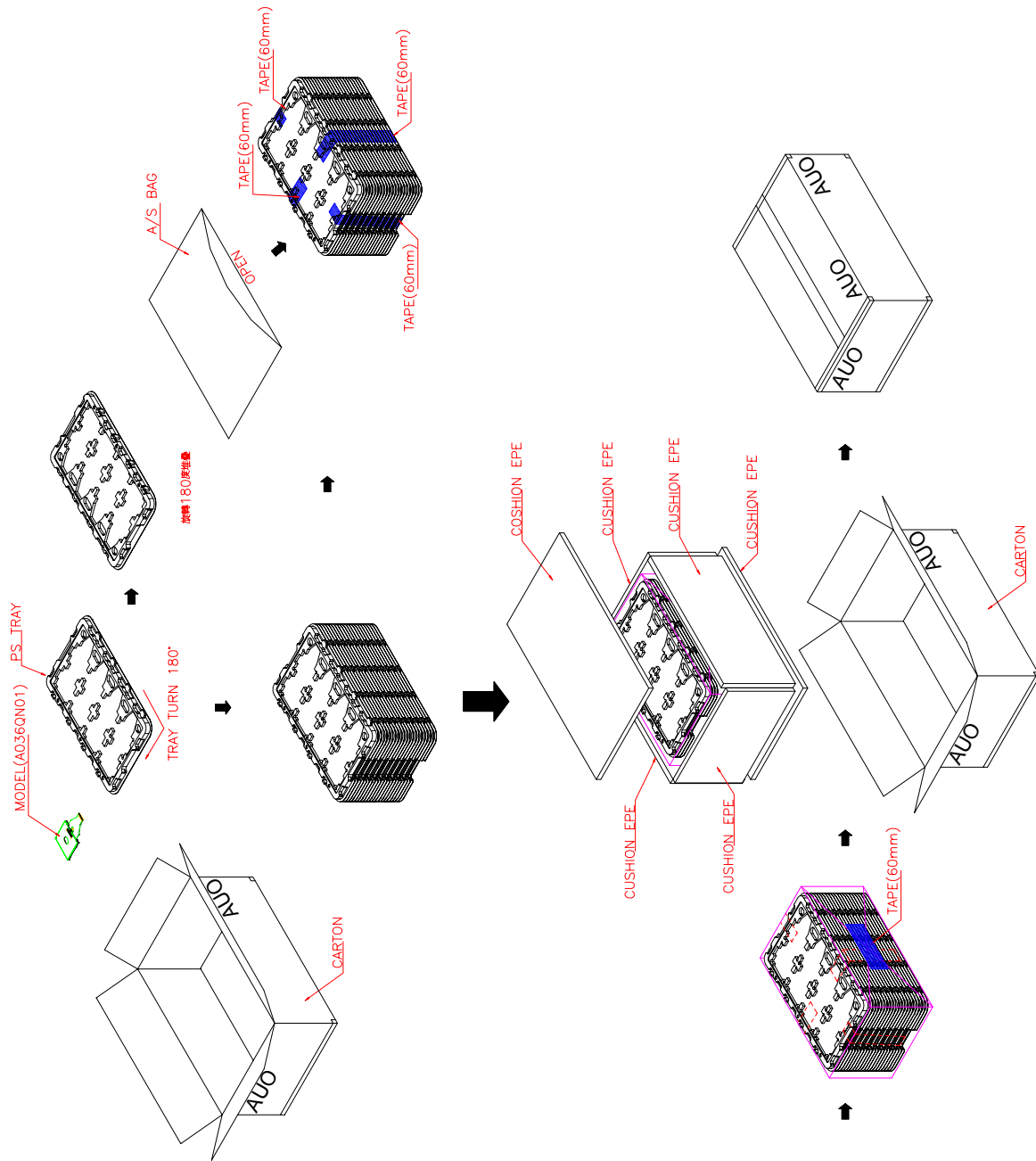
Note 9. Measured at the center area of the panel when all the input terminals of LCD panel are electrically opened.

5. Absolute Ratings of Ambient Environment

No.	Test items	Conditions	Remark
1	High Temperature Storage	Ta= 80°C 240Hrs	
2	Low Temperature Storage	Ta= -25°C 240Hrs	
3	High Temperature Operation	Ta= 60°C 240Hrs	
4	Low Temperature Operation	Ta= 0°C 240Hrs	
5	High Temperature & High	Ta= 60°C . 90% RH 240Hrs	Operation
6	Heat Shock	-25°C~80°C, 50 cycle, 2Hrs/cycle	Non-operation
7	Electrostatic Discharge	±200V, 200pF(0Ω), once for each terminal	Non-operation
8	Vibration	Frequency range : 10~55Hz Stoke : 1.5mm Sweep : 10~55Hz~10Hz 2 hours for each direction of X,Y,Z (6 hours for total)	Non-operation JIS C7021, A-10 condition A
9	Mechanical Shock	100G . 6ms, ±X,±Y,±Z 3 times for each direction	Non-operation JIS C7021, A-7
10	Vibration (With Carton)	Random vibration: 0.015G ² /Hz from 5~200Hz	IEC 68-34
11	Drop (With Carton)	Height: 60cm 1 corner, 3 edges, 6 surfaces	

Note: Ta: Ambient Temperature.

6. Packing Form



MAX. CAPACITY:160 MODULES
 MAX. WEIGHT: 10.1 Kg
 MEAS. 520mm*340mm*250mm