




Product Specification

AU OPTRONICS CORPORATION

(V) Preliminary Specifications

() Final Specifications

Module	11.6”(11.57”) HD 16:9 Color TFT-LCD with LED Backlight design
Model Name	B116XW03 V1 (H/W:0A)
Note ()	<i>LED Backlight with driving circuit design</i>

Customer	Date
Checked & Approved by	Date
Note: This Specification is subject to change without notice.	

Approved by	Date
<u>CH Lin</u>	<u>12/09/2009</u>
Prepared by	Date
<u>Jeff Hou</u>	<u>12/09/2009</u>
NBBU Marketing Division AU Optronics corporation	



Contents

1. Handling Precautions 5

2. General Description 6

 2.1 General Specification6

 2.2 Optical Characteristics7

3. Functional Block Diagram 12

4. Absolute Maximum Ratings..... 13

 4.1 Absolute Ratings of TFT LCD Module 13

 4.2 Absolute Ratings of Environment 13

5. Electrical Characteristics..... 14

 5.1 TFT LCD Module..... 14

 5.2 Backlight Unit 16

6. Signal Interface Characteristic..... 17

 6.1 Pixel Format Image 17

 6.2 The Input Data Format 18

 6.3 Integration Interface Requirement..... 19

 6.4 Interface Timing 21

7. Panel Reliability Test 23

 7.1 Vibration Test 23

 7.2 Shock Test 23

 7.3 Reliability Test..... 23

8. Mechanical Characteristics..... 24

 8.1 LCM Outline Dimension..... 24

9. Shipping and Package 26

 9.1 Shipping Label Format 26

 9.2 Carton Package..... 27

 9.3 Shipping Package of Palletizing Sequence..... 27

10. Appendix: EDID Description 28



Record of Revision

Version and Date	Page	Old description	New Description	Remark																																
0.1 2009/01/07	All	First Edition for Customer																																		
0.2 2009/02/13	13	VDD Power:1.6W (max)	VDD Power:0.8W (max)	modified																																
	29, 30	LCM Outline Dimension: Y diemension is 173mm version.	LCM Outline Dimension: Y dimension shorter.	modified																																
	20 30	LVDS Connector Postion:90.38	LVDS Connector Postion:99.2	modified																																
0.3 2009/03/05	5	Physical Size <table border="1"> <thead> <tr> <th></th> <th>Min.</th> <th>Typ.</th> <th>Max.</th> </tr> </thead> <tbody> <tr> <td>Length</td> <td>274.5</td> <td>275.0</td> <td>275.5</td> </tr> <tr> <td>Width</td> <td>171.0</td> <td>172.0</td> <td>173.0</td> </tr> </tbody> </table>		Min.	Typ.	Max.	Length	274.5	275.0	275.5	Width	171.0	172.0	173.0	Physical Size <table border="1"> <thead> <tr> <th></th> <th>Min.</th> <th>Typ.</th> <th>Max.</th> </tr> </thead> <tbody> <tr> <td>Length</td> <td>277.5</td> <td>278</td> <td>278.5</td> </tr> <tr> <td>Width</td> <td>166</td> <td>167</td> <td>168</td> </tr> </tbody> </table>		Min.	Typ.	Max.	Length	277.5	278	278.5	Width	166	167	168	modified								
	Min.	Typ.	Max.																																	
Length	274.5	275.0	275.5																																	
Width	171.0	172.0	173.0																																	
	Min.	Typ.	Max.																																	
Length	277.5	278	278.5																																	
Width	166	167	168																																	
	19	LED enable pin(+3V Input)	LED enable pin(+3.3±0.3V Input)	modified																																
	13	IDD Current Specification <table border="1"> <thead> <tr> <th>Symble</th> <th>Typ</th> <th>Max</th> </tr> </thead> <tbody> <tr> <td>IDD</td> <td>350</td> <td>450</td> </tr> </tbody> </table>	Symble	Typ	Max	IDD	350	450	IDD Current Specification <table border="1"> <thead> <tr> <th>Symble</th> <th>Typ</th> <th>Max</th> </tr> </thead> <tbody> <tr> <td>IDD</td> <td>242</td> <td>267</td> </tr> </tbody> </table>	Symble	Typ	Max	IDD	242	267	typo																				
Symble	Typ	Max																																		
IDD	350	450																																		
Symble	Typ	Max																																		
IDD	242	267																																		
0.4 2009/03/16	6	Response Time Rising: TBD(typ), TBD(max) Falling: TBD(typ), TBD(max)	Response Time Rising: 6ms(typ), 8ms(max) Falling: 2ms(typ), 4ms(max)	Updated																																
	15	LED Power Consumption <table border="1"> <thead> <tr> <th></th> <th>Typ</th> <th>Max</th> <th>Unit</th> </tr> </thead> <tbody> <tr> <td>LED Power consumption</td> <td>TBD</td> <td>TBD</td> <td>Walt</td> </tr> </tbody> </table>		Typ	Max	Unit	LED Power consumption	TBD	TBD	Walt	LED Power Consumption <table border="1"> <thead> <tr> <th></th> <th>Typ</th> <th>Max</th> <th>Unit</th> </tr> </thead> <tbody> <tr> <td>LED Power consumption</td> <td>3.01</td> <td>3.06</td> <td>Walt</td> </tr> </tbody> </table>		Typ	Max	Unit	LED Power consumption	3.01	3.06	Walt	Updated																
	Typ	Max	Unit																																	
LED Power consumption	TBD	TBD	Walt																																	
	Typ	Max	Unit																																	
LED Power consumption	3.01	3.06	Walt																																	
	22	Timing Charateristics: TBD	Timing Charateristics: Updated	Updated																																
	31	Shipping Label Format: TBD	Shipping Label Format: Added	Updated																																
	32	Carton package:TBD	Carton package:Added	Updated																																
	33	Shipping package of palletizing sequence:TBD	Shipping package of palletizing sequence: Added	Updated																																
	6	Color / Chromaticity Coodinates: TBD	Color / Chromaticity Coodinates: Added	Updated																																
0.5 2009/6/3	6	Screen Diagonal: 11.6"	Screen Diagonal: 293.8(mm)	Update																																
		Response time: 12 (max)	Response time: 16 (max)	Update																																
	7	Response time <table border="1"> <thead> <tr> <th>Conditions</th> <th>Min.</th> <th>Typ.</th> <th>Max.</th> </tr> </thead> <tbody> <tr> <td>Rising</td> <td>-</td> <td>6</td> <td>8</td> </tr> <tr> <td>Falling</td> <td>-</td> <td>2</td> <td>4</td> </tr> <tr> <td>Rising + Falling</td> <td>-</td> <td>8</td> <td>12</td> </tr> </tbody> </table>	Conditions	Min.	Typ.	Max.	Rising	-	6	8	Falling	-	2	4	Rising + Falling	-	8	12	 <table border="1"> <thead> <tr> <th>Conditions</th> <th>Min.</th> <th>Typ.</th> <th>Max.</th> </tr> </thead> <tbody> <tr> <td>Rising</td> <td>-</td> <td>3</td> <td>-</td> </tr> <tr> <td>Falling</td> <td>-</td> <td>5</td> <td>-</td> </tr> <tr> <td>Rising + Falling</td> <td>-</td> <td>8</td> <td>16</td> </tr> </tbody> </table>	Conditions	Min.	Typ.	Max.	Rising	-	3	-	Falling	-	5	-	Rising + Falling	-	8	16	Update
Conditions	Min.	Typ.	Max.																																	
Rising	-	6	8																																	
Falling	-	2	4																																	
Rising + Falling	-	8	12																																	
Conditions	Min.	Typ.	Max.																																	
Rising	-	3	-																																	
Falling	-	5	-																																	
Rising + Falling	-	8	16																																	



Product Specification

AU OPTRONICS CORPORATION

	14	5.1.1 Power Specification										Update	
		Parameter	Min	Typ	Max	Units	Parameter	Min	Typ	Max	Units		
		IDD Current	-	350	450	[mA]	IDD Current	-	-	450	[mA]		
	16						5.2.1 LED characteristics					add	
	16	5.2.2 Backlight input signal characteristics					5.2.2 Backlight input signal characteristics (table)					Table Update	
	21	6.4.1 Timing Characteristics					6.4.1 Timing Characteristics					Table Update	
1.0	2009/6/4	Final spec											
1.1	2009/12/6	6	Update power consumption					Total power consumption 2.9W max					

1. Handling Precautions

- 1) Since front polarizer is easily damaged, pay attention not to scratch it.
- 2) Be sure to turn off power supply when inserting or disconnecting from input connector.
- 3) Wipe off water drop immediately. Long contact with water may cause discoloration or spots.
- 4) When the panel surface is soiled, wipe it with absorbent cotton or other soft cloth.
- 5) Since the panel is made of glass, it may break or crack if dropped or bumped on hard surface.
- 6) Since CMOS LSI is used in this module, take care of static electricity and insure human earth when handling.
- 7) Do not open nor modify the Module Assembly.
- 8) Do not press the reflector sheet at the back of the module to any directions.
- 9) At the insertion or removal of the Signal Interface Connector, be sure not to rotate nor tilt the Interface Connector of the TFT Module.
- 11) After installation of the TFT Module into an enclosure (Notebook PC Bezel, for example), do not twist nor bend the TFT Module even momentary. At designing the enclosure, it should be taken into consideration that no bending/twisting forces are applied to the TFT Module from outside. Otherwise the TFT Module may be damaged.
- 12) Small amount of materials having no flammability grade is used in the LCD module. The LCD module should be supplied by power complied with requirements of Limited Power Source (IEC60950 or UL1950), or be applied exemption.
- 13) Disconnecting power supply before handling LCD modules, it can prevent electric shock, DO NOT TOUCH the electrode parts, cables, connectors and LED circuit part of TFT module that a LED light bar build in as a light source of back light unit. It can prevent electrostatic breakdown.



2. General Description

B116XW03 V1 is a Color Active Matrix Liquid Crystal Display composed of a TFT LCD panel, a driver circuit, and LED backlight system. The screen format is intended to support the 16:9 HD, 1366(H) x768(V) screen and 262k colors (RGB 6-bits data driver) with LED backlight driving circuit. All input signals are LVDS interface compatible.

B116XW03 V1 is designed for a display unit of notebook style personal computer and industrial machine.

2.1 General Specification

The following items are characteristics summary on the table at 25 °C condition:

Items	Unit	Specifications			
Screen Diagonal	[mm]	293.8			
Active Area	[mm]	256.125 X 144.0			
Pixels H x V		1366x3(RGB) x 768			
Pixel Pitch	[mm]	0.1875 x 0.1875			
Pixel Format		R.G.B. Vertical Stripe			
Display Mode		Normally White			
White Luminance (ILED=20mA) (Note: ILED is LED current)	[cd/m ²]	200 typ. (5 points average) 180 min. (5 points average)			
Luminance Uniformity		1.25 max. (5 points)			
Contrast Ratio		500 typ			
Response Time	[ms]	8 typ / 16 Max			
Nominal Input Voltage VDD	[Volt]	+3.3 typ.			
Power Consumption	[Watt]	2.9 max. (Include Logic and BLU power)			
Weight	[Grams]	235 max.			
Physical Size Include bracket	[mm]		Min.	Typ.	Max.
		Length	277.5	278.0	278.5
		Width	167.5	168.0	168.5
		Thickness	-	-	3.6
Electrical Interface		1 channel LVDS			
Glass Thickness	[mm]	0.5			
Surface Treatment		Anti-Glare,			
Support Color		262K colors (RGB 6-bit)			



Product Specification

AU OPTRONICS CORPORATION

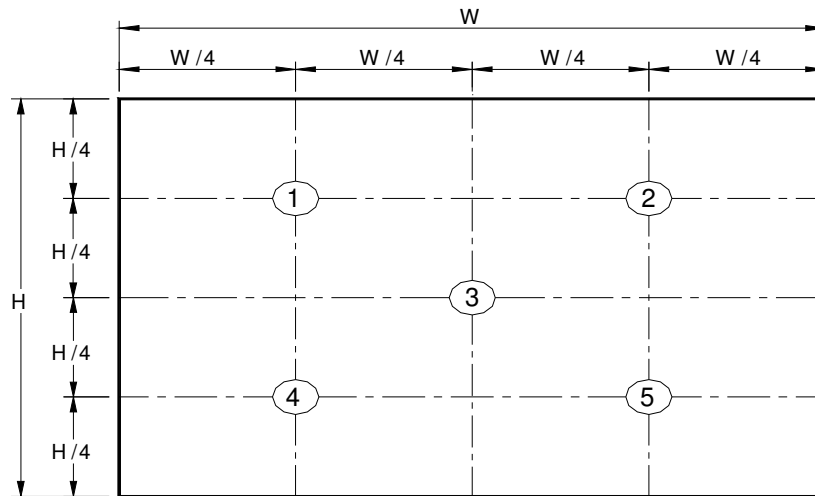
Temperature Range Operating	[°C]	0 to +50
Storage (Non-Operating)	[°C]	-20 to +60
RoHS Compliance		RoHS Compliance

2.2 Optical Characteristics

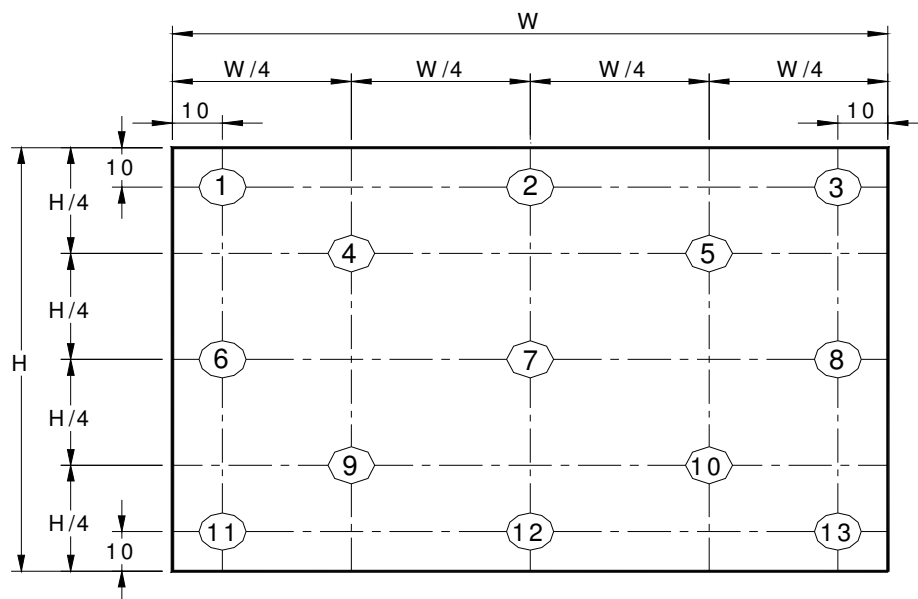
The optical characteristics are measured under stable conditions at 25°C (Room Temperature) :

Item	Symbol	Conditions	Min.	Typ.	Max.	Unit	Note
White Luminance $I_{LED=20mA}$		5 points average	180	200	-	cd/m ²	1, 4, 5.
Viewing Angle	θ_R	Horizontal (Right) CR = 10 (Left)	40	45	-	degree	4, 9
	θ_L		40	45	-		
	ϕ_H	Vertical (Upper) CR = 10 (Lower)	10	15	-		
	ϕ_L		30	35	-		
Luminance Uniformity	δ_{5P}	5 Points	-	-	1.25		1, 3, 4
Luminance Uniformity	δ_{13P}	13 Points	-	-	1.50		2, 3, 4
Contrast Ratio	CR		400	500	-		4, 6
Cross talk	%				4		4, 7
Response Time	T_r	Rising	-	3	-	msec	4, 8
	T_f	Falling	-	5	-		
	T_{RT}	Rising + Falling	-	8	16		
Color / Chromaticity Coordinates	Red	Rx	0.554	0.584	0.614	CIE 1931	4
		Ry	0.303	0.333	0.363		
	Green	Gx	0.308	0.338	0.368		
		Gy	0.541	0.571	0.601		
	Blue	Bx	0.128	0.158	0.188		
		By	0.103	0.133	0.163		
	White	Wx	0.283	0.313	0.343		
		Wy	0.299	0.329	0.359		
NTSC	%		-	45	-		

Note 1: 5 points position (Ref: Active area)



Note 2: 13 points position (Ref: Active area)



Note 3: The luminance uniformity of 5 or 13 points is defined by dividing the maximum luminance values by the minimum test point luminance

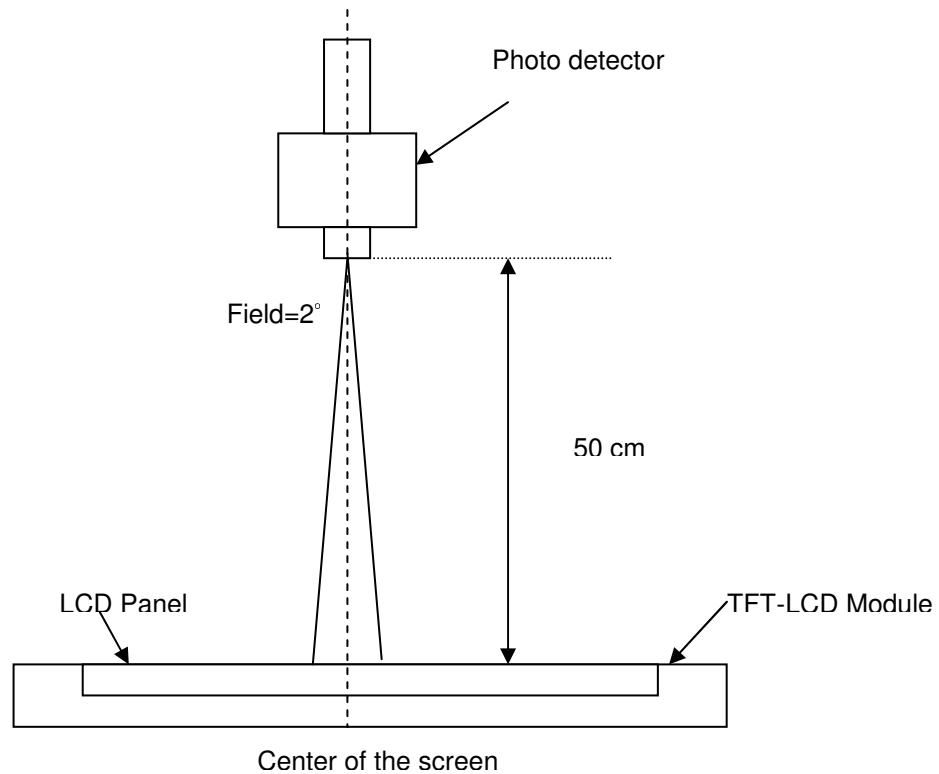
$$\delta_{w5} = \frac{\text{Maximum Brightness of five points}}{\text{Minimum Brightness of five points}}$$

$$\delta_{w13} = \frac{\text{Maximum Brightness of thirteen points}}{\text{Minimum Brightness of thirteen points}}$$

Note 4: Measurement method

The LCD module should be stabilized at given temperature for 30 minutes to avoid abrupt temperature change during measuring. In order to stabilize the luminance, the measurement should be executed after lighting

Backlight for 30 minutes in a stable, windless and dark room, and it should be measured in the center of screen.



Note 5 : Definition of Average Luminance of White (Y_L):

Measure the luminance of gray level 63 at 5 points , $Y_L = [L (1)+ L (2)+ L (3)+ L (4)+ L (5)] / 5$

$L (x)$ is corresponding to the luminance of the point X at Figure in Note (1).

Note 6 : Definition of contrast ratio:

Contrast ratio is calculated with the following formula.

$$\text{Contrast ratio (CR)} = \frac{\text{Brightness on the "White" state}}{\text{Brightness on the "Black" state}}$$

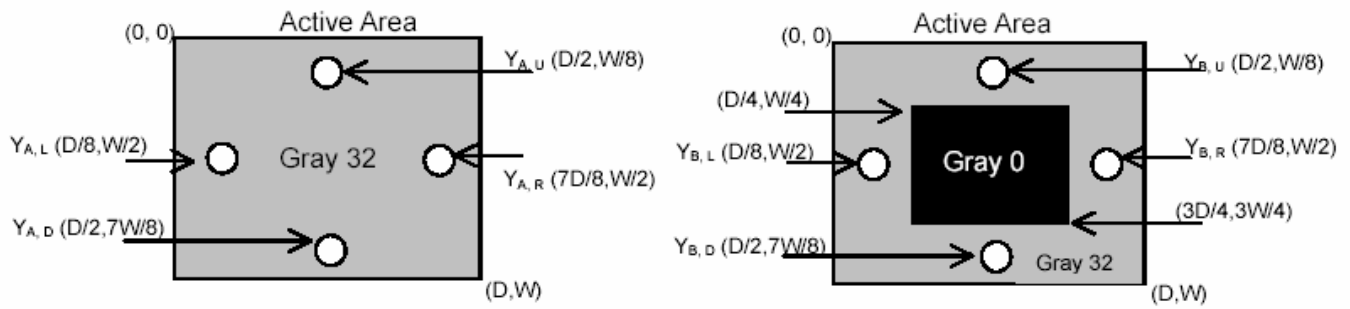
Note 7 : Definition of Cross Talk (CT)

$$CT = |Y_B - Y_A| / Y_A \times 100 (\%)$$

Where

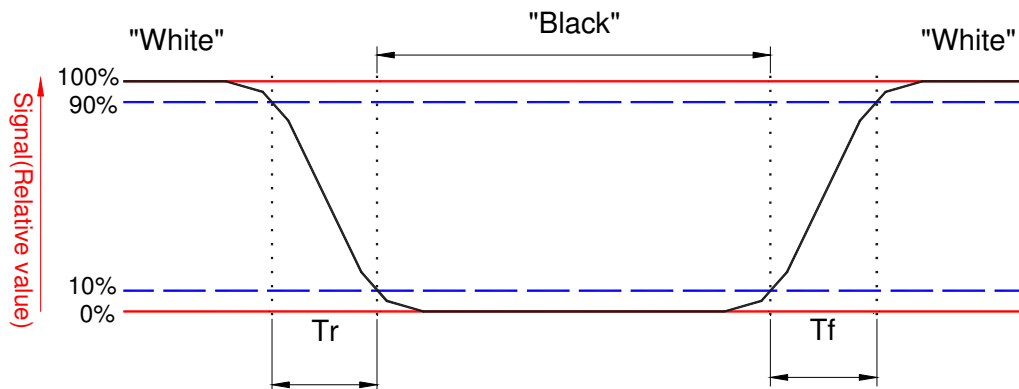
Y_A = Luminance of measured location without gray level 0 pattern (cd/m^2)

Y_B = Luminance of measured location with gray level 0 pattern (cd/m^2)



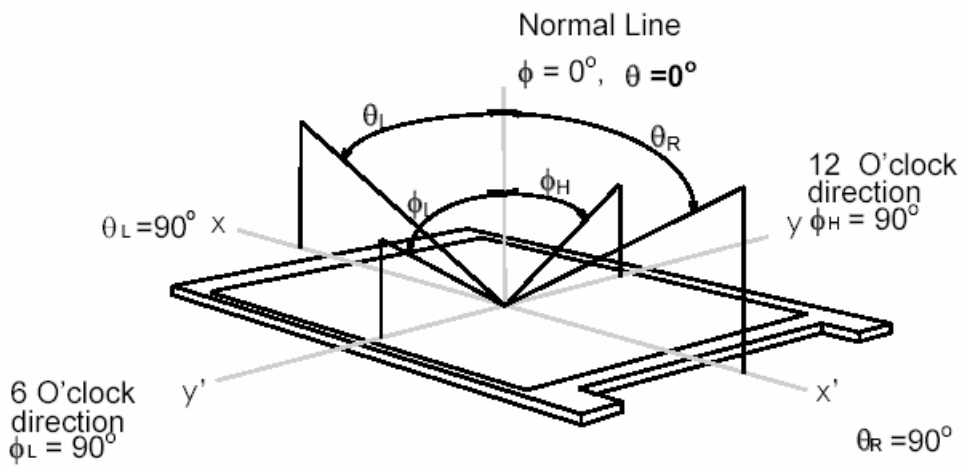
Note 8: Definition of response time:

The output signals of BM-7 or equivalent are measured when the input signals are changed from "Black" to "White" (falling time) and from "White" to "Black" (rising time), respectively. The response time interval between the 10% and 90% of amplitudes. Refer to figure as below.



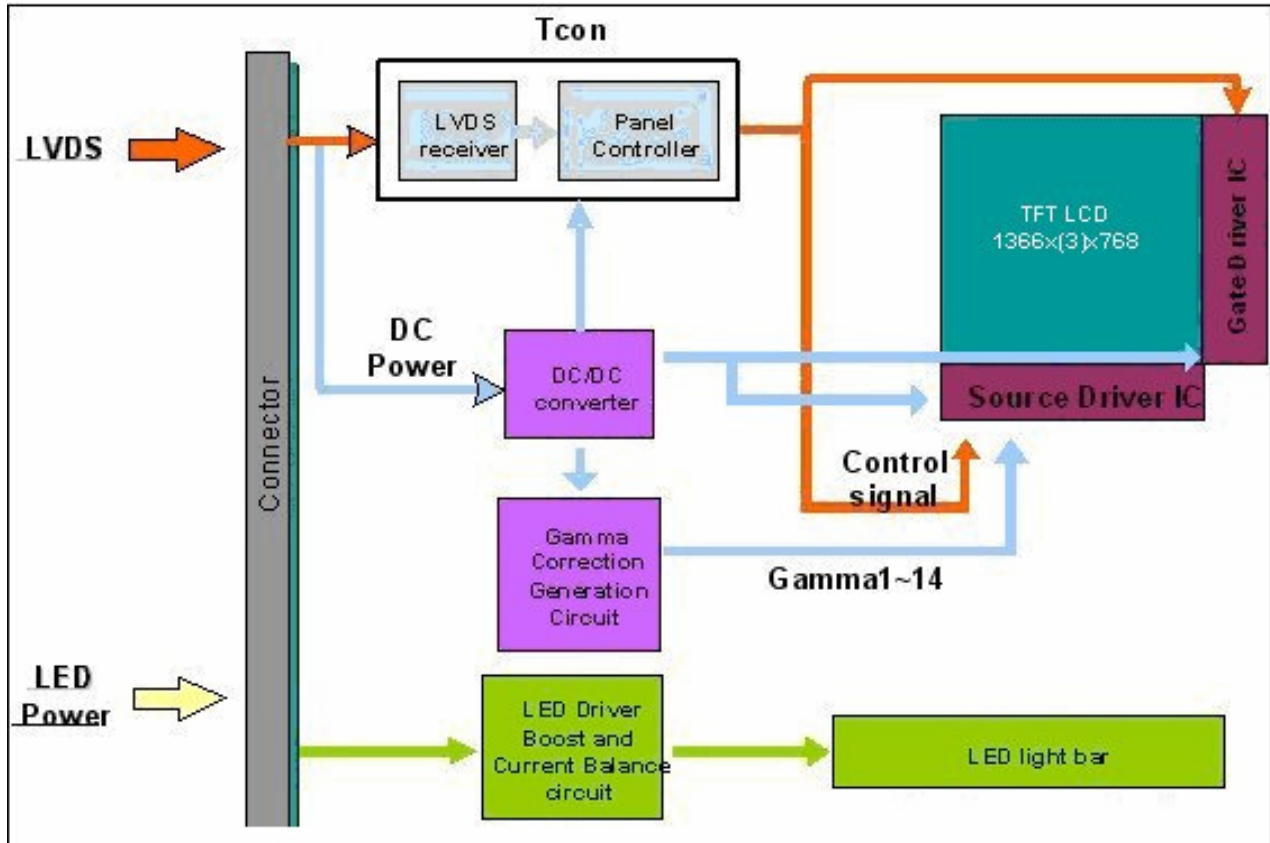
Note 9. Definition of viewing angle

Viewing angle is the measurement of contrast ratio ≥ 10 , at the screen center, over a 180° horizontal and 180° vertical range (off-normal viewing angles). The 180° viewing angle range is broken down as follows; 90° (θ) horizontal left and right and 90° (ϕ) vertical, high (up) and low (down). The measurement direction is typically perpendicular to the display surface with the screen rotated about its center to develop the desired measurement viewing angle.



3. Functional Block Diagram

The following diagram shows the functional block of the 11.6 inches wide Color TFT/LCD 40 Pin one channel Module



4. Absolute Maximum Ratings

An absolute maximum rating of the module is as following:

4.1 Absolute Ratings of TFT LCD Module

Item	Symbol	Min	Max	Unit	Conditions
Logic/LCD Drive Voltage	Vin	-0.3	+4.0	[Volt]	Note 1,2

4.2 Absolute Ratings of Environment

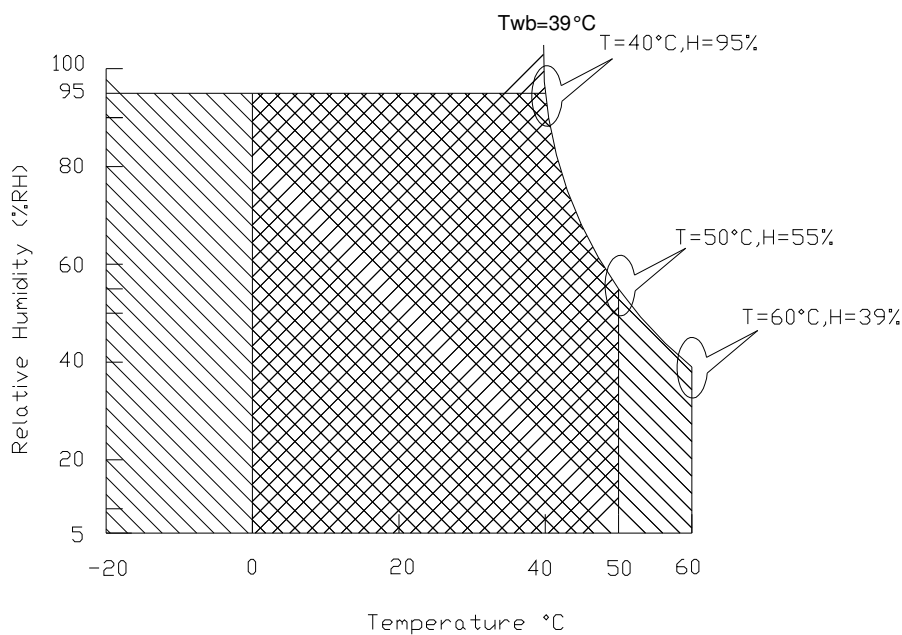
Item	Symbol	Min	Max	Unit	Conditions
Operating Temperature	TOP	0	+50	[°C]	Note 4
Operation Humidity	HOP	5	95	[%RH]	Note 4
Storage Temperature	TST	-20	+60	[°C]	Note 4
Storage Humidity	HST	5	95	[%RH]	Note 4

Note 1: At Ta (25°C)

Note 2: Permanent damage to the device may occur if exceed maximum values

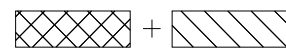
Note 3: LED specification refer to section 5.2

Note 4: For quality performance, please refer to AUO IIS (Incoming Inspection Standard).



Operating Range 

Storage Range



5. Electrical Characteristics

5.1 TFT LCD Module

5.1.1 Power Specification

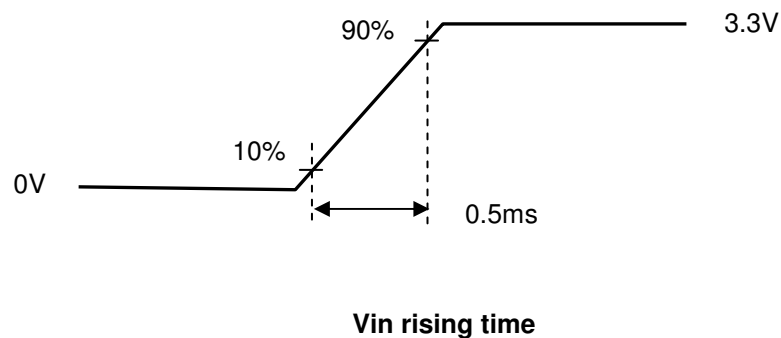
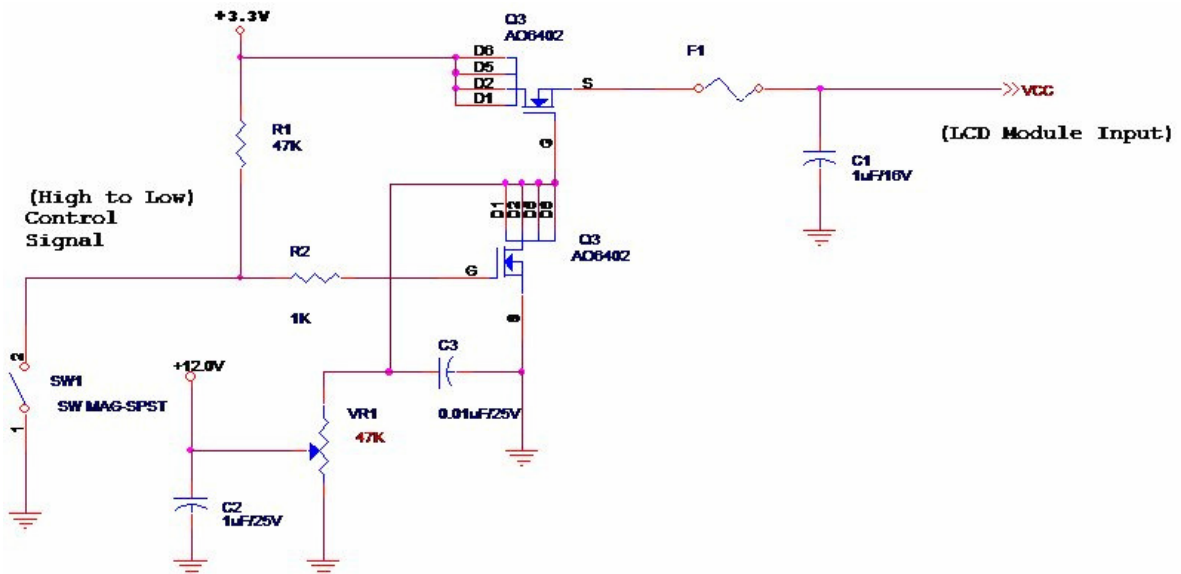
Input power specifications are as follows;

The power specification are measured under 25°C and frame frequency under 60Hz

Symble	Parameter	Min	Typ	Max	Units	Note
VDD	Logic/LCD Drive Voltage	3.0	3.3	3.6	[Volt]	
PDD	VDD Power	-	-	0.8	[Watt]	Note 1
IDD	IDD Current	-	-	242	[mA]	Note 1
IRush	Inrush Current	-	-	2000	[mA]	Note 2
VDDrp	Allowable Logic/LCD Drive Ripple Voltage	-	-	100	[mV] p-p	

Note 1 : Maximum Measurement Condition : Black Pattern at 3.3V driving voltage. ($P_{max} = V_{3.3} \times I_{black}$)

Note 2 : Measure Condition



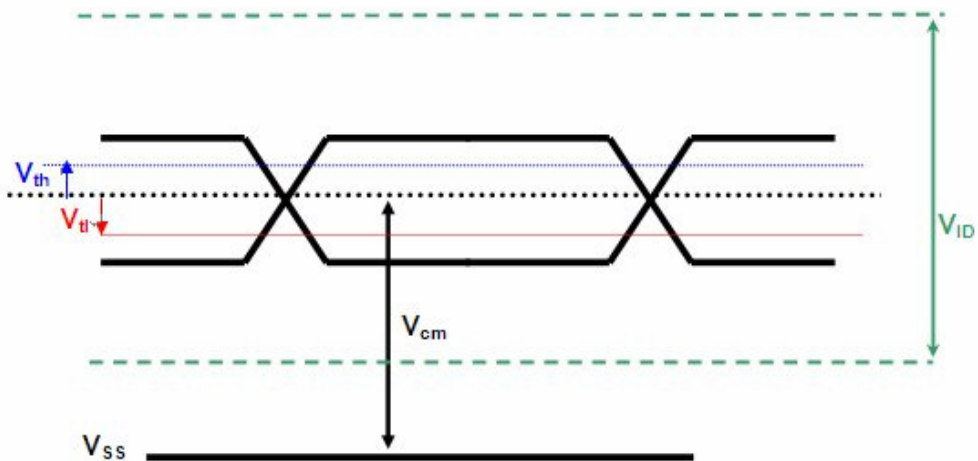
5.1.2 Signal Electrical Characteristics

Input signals shall be low or High-impedance state when VDD is off.

Signal electrical characteristics are as follows;

Parameter	Condition	Min	Max	Unit
V_{th}	Differential Input High Threshold ($V_{cm}=+1.2V$)		100	[mV]
V_{tl}	Differential Input Low Threshold ($V_{cm}=+1.2V$)	-100	-	[mV]
V_{ID}	Differential Input Voltage	100	600	[mV]
V_{cm}	Differential Input Common Mode Voltage	1.125	1.375	[V]

Note: LVDS Signal Waveform



5.2 Backlight Unit

5.2.1 LED characteristics

Parameter	Symbol	Min	Typ	Max	Units	Condition
Backlight Power Consumption	PLED	-	-	2.08	[Watt]	(Ta=25°C), Note 1 Vin =12V
LED Life-Time	N/A	10,000	-	-	Hour	(Ta=25°C), Note 2 If=20 mA

Note 1: Calculator value for reference $P_{LED} = VF$ (Normal Distribution) * I_F (Normal Distribution) / Efficiency

Note 2: The LED life-time define as the estimated time to 50% degradation of initial luminous.

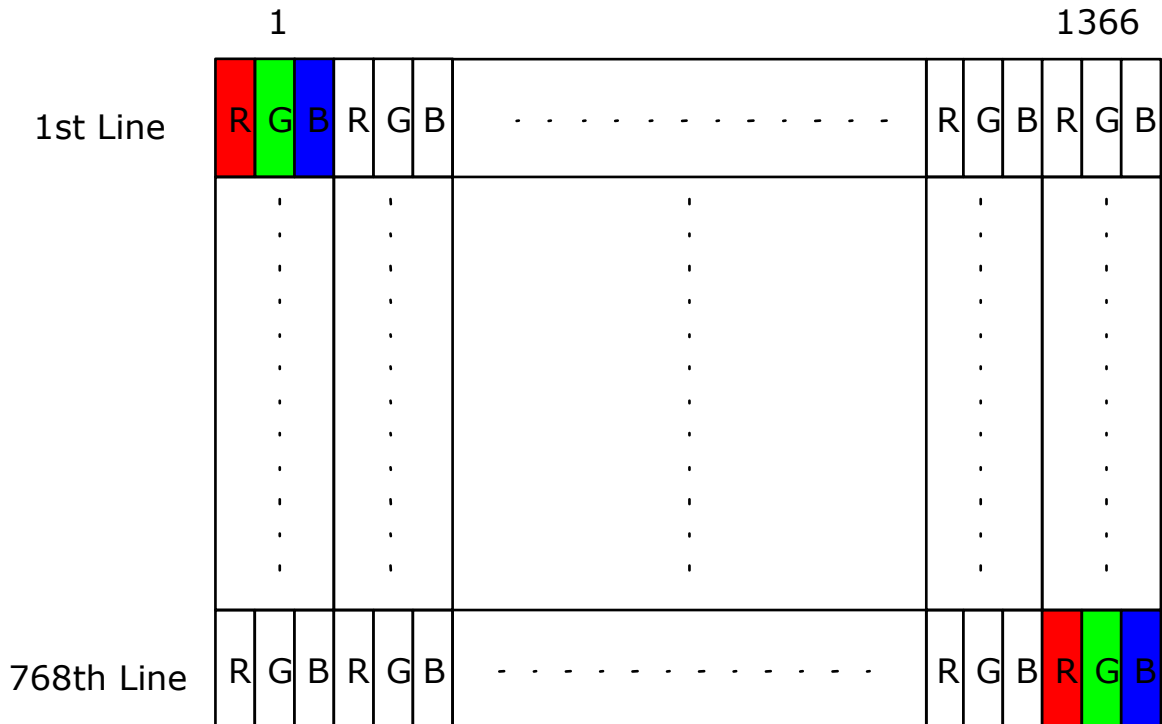
5.2.2 Backlight input signal characteristics

Parameter	Symbol	Min	Typ	Max	Units	Remark
LED Power Supply	VLED	6.0	12.0	21.0	[Volt]	Define as Connector Interface (Ta=25°C)
LED Enable Input High Level	VLED_EN	2.5	-	5.5	[Volt]	
LED Enable Input Low Level		-	-	0.8	[Volt]	
PWM Logic Input High Level	VPWM_EN	2.5	-	5.5	[Volt]	
PWM Logic Input Low Level		-	-	0.8	[Volt]	
PWM Input Frequency	FPWM	900	-	1.1k	Hz	
PWM Duty Ratio	Duty	5	--	100	%	

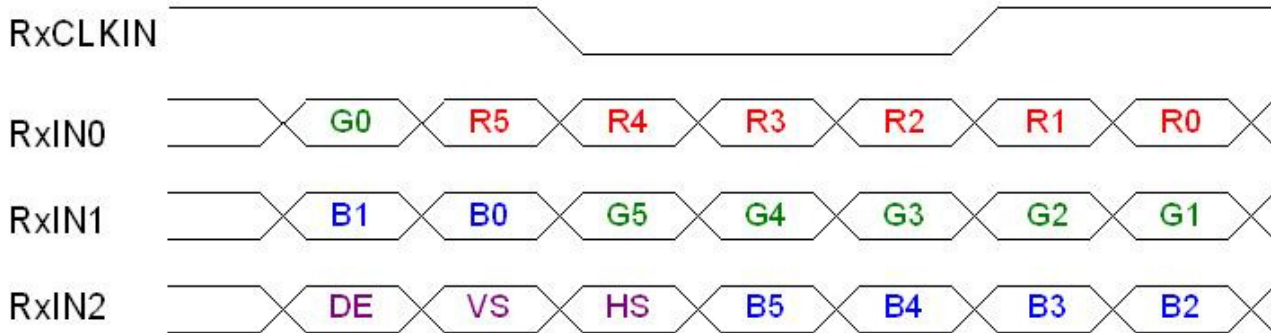
6. Signal Interface Characteristic

6.1 Pixel Format Image

Following figure shows the relationship of the input signals and LCD pixel format.



6.2 The Input Data Format



Signal Name	Description	
R5 R4 R3 R2 R1 R0	Red Data 5 (MSB) Red Data 4 Red Data 3 Red Data 2 Red Data 1 Red Data 0 (LSB)	Red-pixel Data Each red pixel's brightness data consists of these 6 bits pixel data.
G5 G4 G3 G2 G1 G0	Green Data 5 (MSB) Green Data 4 Green Data 3 Green Data 2 Green Data 1 Green Data 0 (LSB)	Green-pixel Data Each green pixel's brightness data consists of these 6 bits pixel data.
B5 B4 B3 B2 B1 B0	Blue Data 5 (MSB) Blue Data 4 Blue Data 3 Blue Data 2 Blue Data 1 Blue Data 0 (LSB)	Blue-pixel Data Each blue pixel's brightness data consists of these 6 bits pixel data.
RxCLKIN	Data Clock	The signal is used to strobe the pixel data and DE signals. All pixel data shall be valid at the falling edge when the DE signal is high.
DE	Display Timing	This signal is strobed at the falling edge of RxCLKIN. When the signal is high, the pixel data shall be valid to be displayed.
VS	Vertical Sync	The signal is synchronized to RxCLKIN .
HS	Horizontal Sync	The signal is synchronized to RxCLKIN .

Note: Output signals from any system shall be low or High-impedance state when VDD is off.

6.3 Integration Interface Requirement

6.3.1 Connector Description

Physical interface is described as for the connector on module.

These connectors are capable of accommodating the following signals and will be following components.

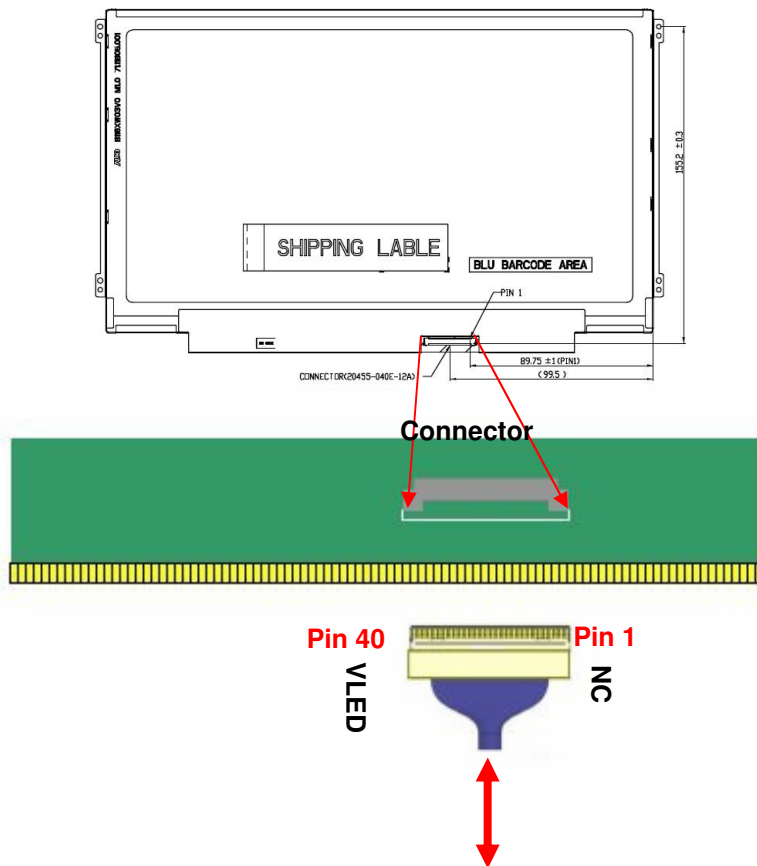
Connector Name / Designation	For Signal Connector
Manufacturer	IPEX or compatible
Type / Part Number	IPEX 20455-040E-12 or compatible
Mating Housing/Part Number	IPEX 20353-040T-11 or compatible

6.3.2 Pin Assignment

LVDS is a differential signal technology for LCD interface and high speed data transfer device.

PIN#	Signal Name	Description
1	NC	No Connection (Reserve)
2	VDD	Power Supply +3.3V
3	VDD	Power Supply +3.3V
4	VEDID	EDID +3.3V Power
5	NC	No Connect (Reserve)
6	CLK_EDID	EDID Clock Input
7	DAT_EDID	EDID Data Input
8	RxOIN0-	-LVDS Differential Data INPUT(Odd R0-R5,G0)
9	RxOIN0+	+LVDS Differential Data INPUT(Odd R0-R5,G0)
10	VSS	Ground
11	RxOIN1-	-LVDS Differential Data INPUT(Odd G1-G5,B0-B1)
12	RxOIN1+	+LVDS Differential Data INPUT(Odd G1-G5,B0-B1)
13	VSS	Ground
14	RxOIN2-	-LVDS Differential Data INPUT(Odd B2-B5,HS,VS,DE)
15	RxOIN2+	+LVDS Differential Data INPUT(Odd B2-B5,HS,VS,DE)
16	VSS	Ground
17	RxOCKIN-	-LVDS Odd Differential Clock INPUT
18	RxOCKIN+	-LVDS Odd Differential Clock INPUT
19	IMG_EN	Color Matrix Enable (3.0V~3.6V,3.3V type)
20	NC	No connection
21	NC	No connection
22	NC	No connection

23	NC	No connection
24	NC	No connection
25	NC	No connection
26	NC	No connection
27	NC	No connection
28	NC	No connection
29	NC	No connection
30	NC	No connection
31	VLED_GND	LED Ground
32	VLED_GND	LED Ground
33	VLED_GND	LED Ground
34	NC	No Connection (Reserve)
35	VPWM_EN	PWM logic input level
36	VLED_EN	LED enable input level
37	DCR_EN	DCR Enable(3.0V~3.6V, 3.3V type)
38	VLED	LED Power Supply
39	VLED	LED Power Supply
40	VLED	LED Power Supply



Note1: Input signals shall be low or High-impedance state when VDD is off.

6.4 Interface Timing

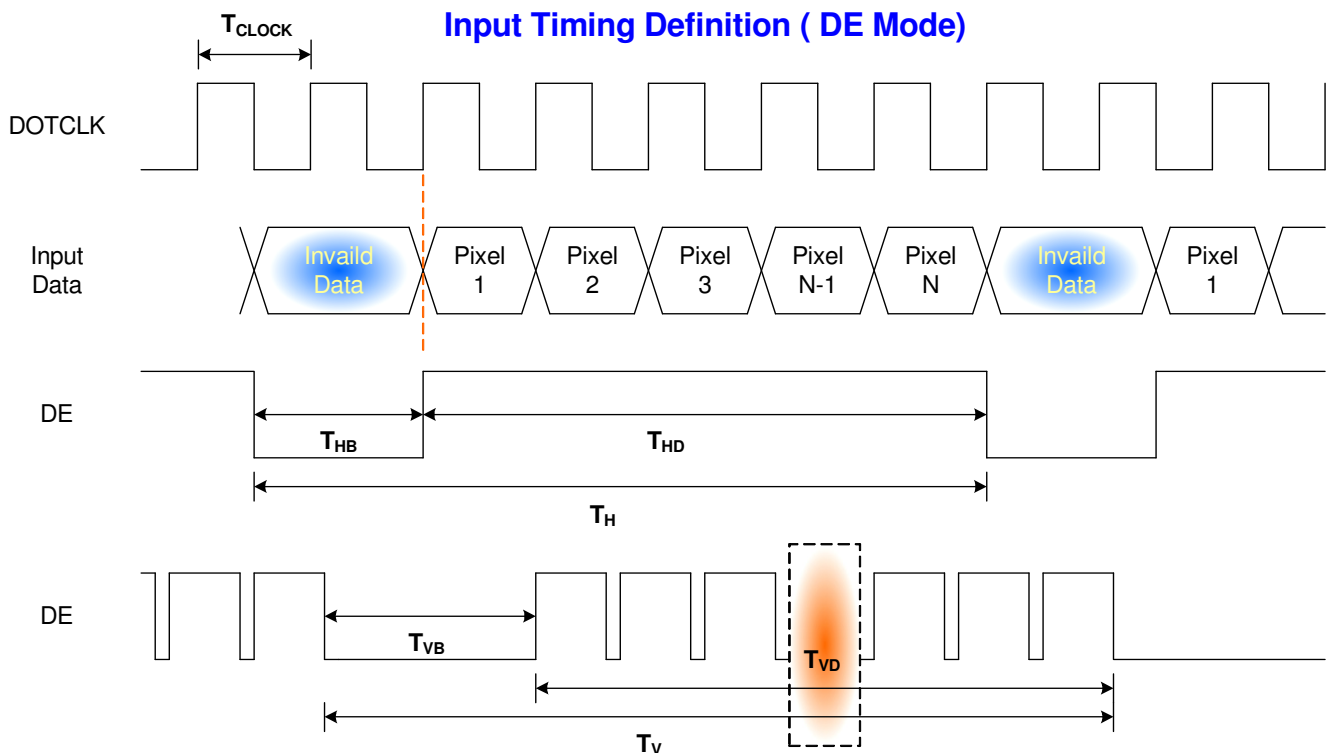
6.4.1 Timing Characteristics

Basically, interface timings should match the 1366x768 /60Hz manufacturing guide line timing.

Parameter	Symbol	Min.	Typ.	Max.	Unit	
Frame Rate	-		60	-	Hz	
Clock frequency	$1/T_{\text{Clock}}$	65	69.3	80	MHz	
Vertical Section	Period	T_V	776	793	1000	T_{Line}
	Active	T_{VD}	768			
	Blanking	T_{VB}	8	25	180	
Horizontal Section	Period	T_H	1396	1456	2000	T_{Clock}
	Active	T_{HD}	1366			
	Blanking	T_{HB}	30	90	634	

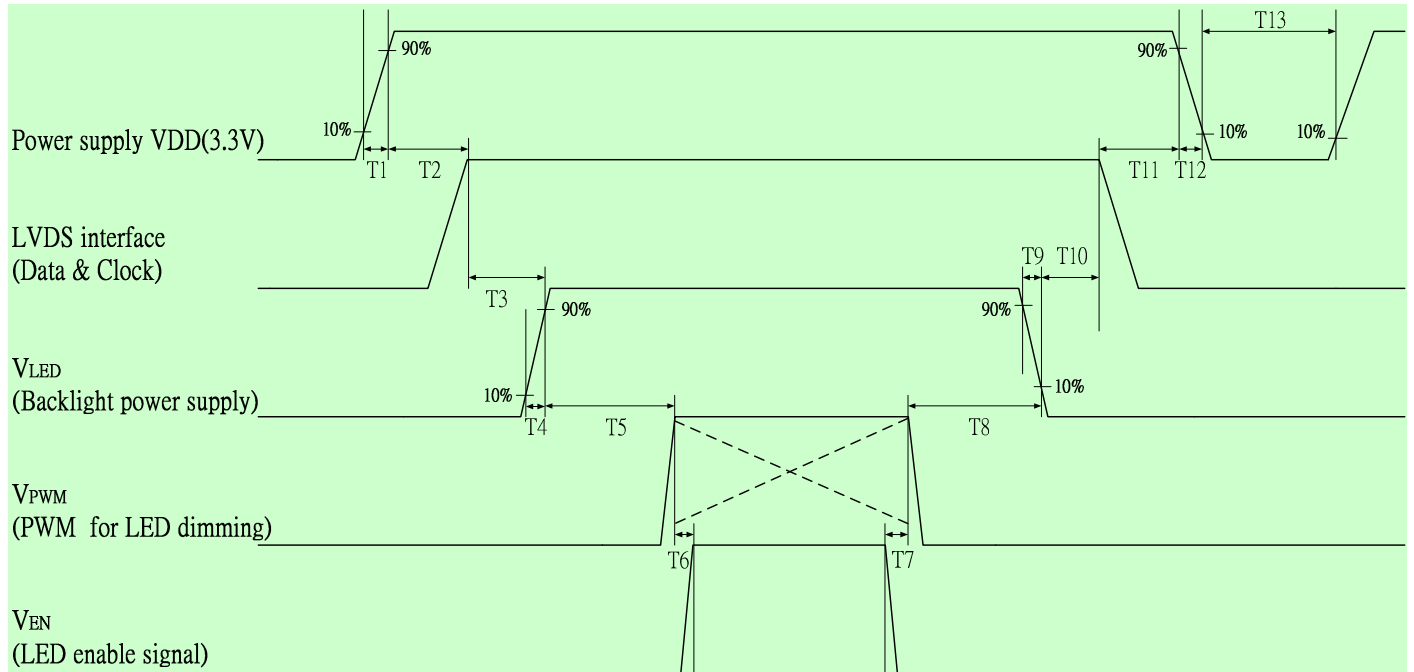
Note : DE mode only

6.4.2 Timing diagram



6.5 Power ON/OFF Sequence

Power on/off sequence is as follows. Interface signals and LED on/off sequence are also shown in the chart. Signals from any system shall be Hi-Z state or low level when VDD is off



Power Sequence Timing				
Parameter	Value			Units
	Min.	Typ.	Max.	
T1	0.5	-	10	ms
T2	0	-	50	
T3	200	-	-	
T4	0.5	-	10	
T5	10	-	-	
T6	10	-	-	
T7	0	-	-	
T8	10	-	-	
T9	0	-	10	
T10	200	-	-	
T11	0.5	-	50	
T12	0	-	10	
T13	400	-	-	

Note: If T3, T5, T6 couldn't match above specifications, must request $T3+T5+T6 > 200\text{ms}$ at least

7. Panel Reliability Test

7.1 Vibration Test

Test Spec:

- Test method: Non-Operation
- Acceleration: 1.5 G
- Frequency: 10 - 500Hz Random
- Sweep: 30 Minutes each Axis (X, Y, Z)

7.2 Shock Test

Test Spec:

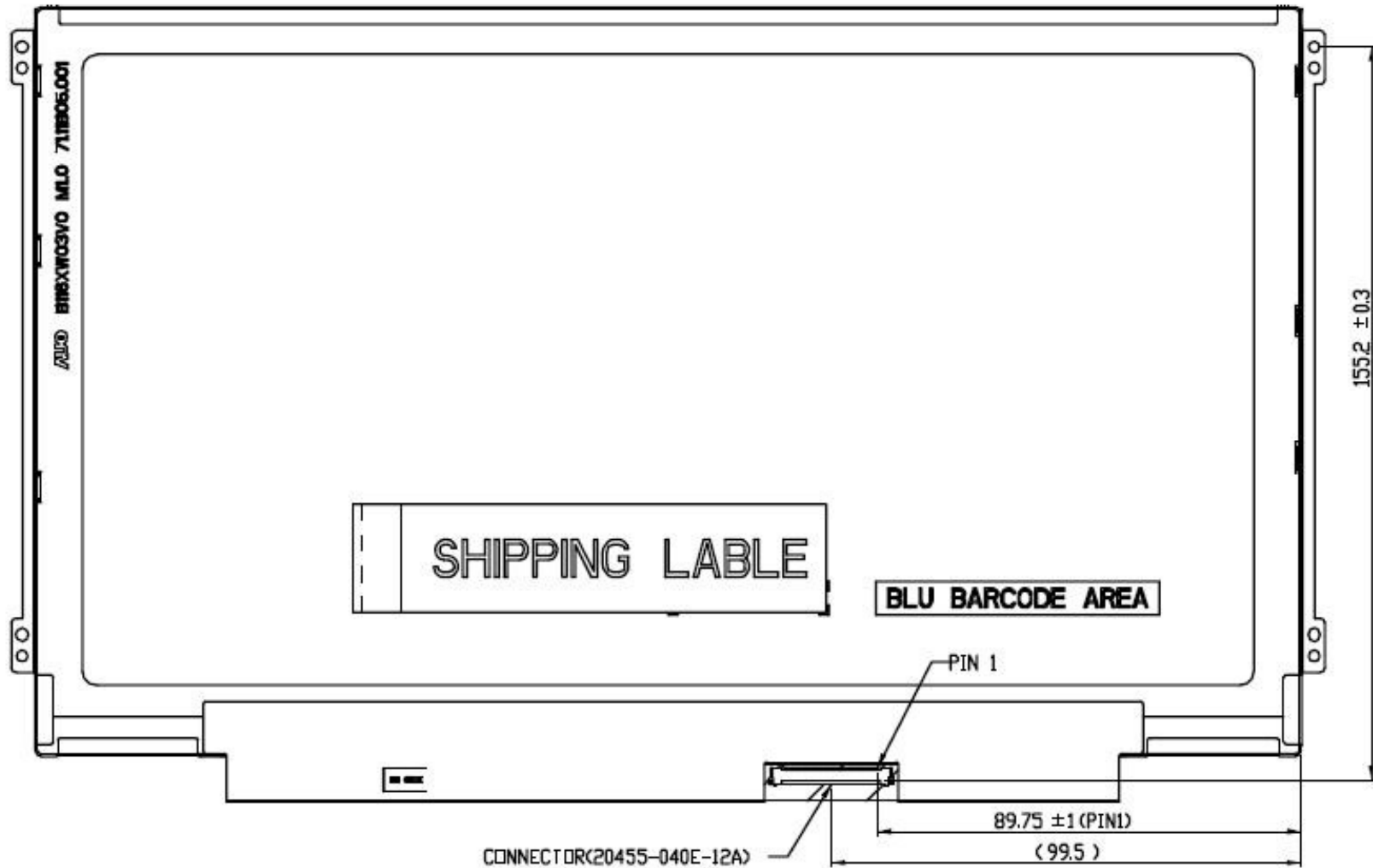
- Test method: Non-Operation
- Acceleration: 220 G , Half sine wave
- Active time: 2 ms
- Pulse: X,Y,Z .one time for each side

7.3 Reliability Test

Items	Required Condition	Note
Temperature Humidity Bias	Ta= 40°C, 90%RH, 300h	
High Temperature Operation	Ta= 50°C, Dry, 300h	
Low Temperature Operation	Ta= 0°C, 300h	
High Temperature Storage	Ta= 60°C, 35%RH, 300h	
Low Temperature Storage	Ta= -20°C, 50%RH, 250h	
Thermal Shock Test	Ta=-20°C to 60°C, Duration at 30 min, 100 cycles	
ESD	Contact : ±8 KV Air : ±15 KV	Note 1

Note1: According to EN 61000-4-2 , ESD class B: Some performance degradation allowed. No data lost
 . Self-recoverable. No hardware failures.

Remark: MTBF (Excluding the LED): 30,000 hours with a confidence level 90%



Note: Prevention IC damage, IC positions not allowed any overlap over these areas.



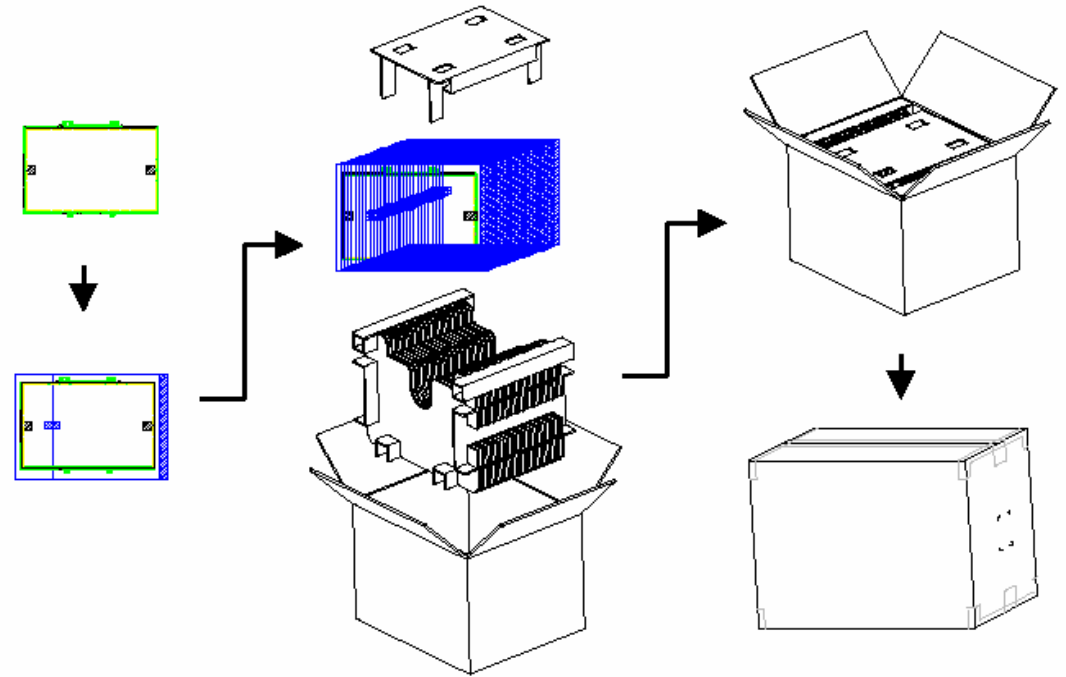
9. Shipping and Package

9.1 Shipping Label Format

(TBD)

9.2 Carton Package

The outside dimension of carton is 469(L)mm* 378(W)mm* 266(H)mm



9.3 Shipping Package of Palletizing Sequence

