

# Specification

**C070VW02 V2**

**Doc. Version: 0.3**

**Version May 2006**

**Note: This specification is subject to change without prior notice**

---



Record of Revision

Version	Revise Date	Page	Description
0.0	12 May,2006	--	Draft specification
0.1	15 May,2006	18	Updated outline drawing – front view
		19	Updated outline drawing – rear view
0.2	18 May,2006	1	Added “RoHS Compliance”
0.3	25 May,2006	17	Revised the vibration test conditions
0.3		18	Revised the connector part number in the front view outline drawing



# Contents

General Description.....	4
Features .....	4
1. General Information.....	5
2. Electrical Specifications .....	6
2.1 Pin Assignment.....	6
2.2 Absolute Maximum Ratings .....	7
3. Electrical Characteristics .....	8
3.1 Typical Operating Condition.....	8
3.2 Current Consumption.....	8
3.3 LED Backlight Driving Condition.....	8
3.4 AC Timing Condition .....	9
3.5 Timing Diagrams.....	9
4. Touch Panel Specifications.....	12
4.1 FPC Pin Assignment.....	12
4.2 Electrical Characteristics .....	12
4.3 Mechanical Characteristics.....	13
4.4 Durability Test .....	13
4.5 Attention .....	14
5. Optical Specifications .....	15
6. Reliability Test Items.....	17
7. Outline Dimension .....	18
8. Packing Form .....	20
9. Application Notes .....	21
9.1 Typical application circuit.....	21
9.2 Power On/Off sequence .....	22



## General Description

The AUO Color amorphous silicon Thin Film Transistor LCD module is an active matrix Liquid Crystal Display produced by making the most of AUO's expertise in Flat Panel Display technologies having a 16:9 aspect ratio whose main application is Navigation of automotive field.

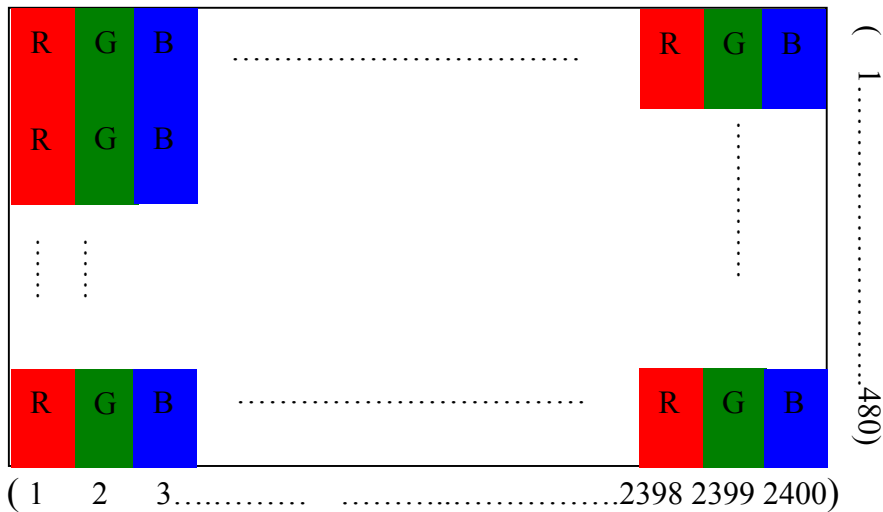
## Features

- 15:9 aspect ratio suitable in wide-screen systems
- Higher resolution image composed of 384,000 pixel elements
- Wide viewing angle technology
- High contrast by Super Wide View technology
- Robust module design by using COG mounting technology
- Wide range of options input format by PCB design
- TN-normally white mode
- High power LED's backlight with Mercury-free solution

# 1. General Information

NO.	Item	Unit	Specification	Remark
1	Display Resolution	dot	800RGB(H)×480(V)	
2	Active Area	mm	152.40(H)×91.44(V)	
3	Screen Size	inch	7.0(Diagonal)	
4	Pixel Pitch	mm	0.0635xRGB(H)×0.1905(V)	
5	Color Configuration	--	R. G. B. Stripe	Note 1
6	Color Depth	--	262K Colors	Note 2
7	Overall Dimension	mm	165.0(H) × 104.0(V) × 6.9/10.55(T)	Note 3
8	Weight	g	TBD	
9	Panel surface treatment	--	AG(5% haze)	
10	Display Mode	--	Normally White	
11	Backlight Unit	--	High Power LEDs	

Note 1: Below figure shows the dot stripe arrangement.



Note 2: The 262K color display depends on 6-bit data signal input.

Note 3: The thickness does not include the backlight cable and screw height. Please refer to section 7. "Outline Dimension-Front View".



## 2. Electrical Specifications

### 2.1 Pin Assignment

Connector type: 62684-501100ALF (FCI CONN 50PIN) or compatible

Pin No	Symbol	I/O	Function	Remark
1	GND	P	Ground for gate drive	
2	VCC	P	Digital voltage for gate driver	
3	VGL	P	TFT low voltage	
4	VGH	P	TFT high voltage	
5	STVL	I/O	Start pulse signal input/output (Vertical)	
6	STVR	I/O	Start pulse signal input/output (Vertical)	
7	CKV	I	CLK (Vertical)	
8	U/D	I	Up or Down display control	
9	OEV	I	Output enable	
10	VCOM	I	VCOM voltage	
11	DIO1	I/O	Start pulse signal input/output (Horizontal)	
12	AVDD	P	Analog voltage for source driver	
13	AVSS	P	Analog ground for source driver	
14	GND	P	Digital ground for source driver	
15	VCC (DVDD)	P	Digital voltage for source driver	
16	EDGSL	I	Select raising edge or raising/falling edge	
17	CLK	I	Sample CLK	
18	SHL(R/L)	I	Right or Left display control	
19	R0	I	Red data	
20	R1	I	Red data	
21	R2	I	Red data	
22	R3	I	Red data	
23	R4	I	Red data	
24	R5	I	Red data	
25	G0	I	Green Data	
26	G1	I	Green Data	
27	G2	I	Green Data	

28	G3	I	Green Data	
29	G4	I	Green Data	
30	G5	I	Green Data	
31	V1	I	Reference voltage	
32	V2	I	Reference voltage	
33	V3	I	Reference voltage	
34	V4	I	Reference voltage	
35	V5	I	Reference voltage	
36	V6	I	Reference voltage	
37	V7	I	Reference voltage	
38	V8	I	Reference voltage	
39	V9	I	Reference voltage	
40	V10	I	Reference voltage	
41	B0	I	Blue Data	
42	B1	I	Blue Data	
43	B2	I	Blue Data	
44	B3	I	Blue Data	
45	B4	I	Blue Data	
46	B5	I	Blue Data	
47	LD (OEH)	I	Latch and switch data to output	
48	REV	I	Control data are inverted or not	
49	POL	I	Polarity selection	
50	DIO2	I/O	Start pulse signal input/output (Horizontal)	

I: Input pin; O: Output pin; VI: Voltage Input; VO: Voltage Output; P: Power

## 2.2 Absolute Maximum Ratings

Items	Symbol	Product Specification			Unit
		Min.	Typ.	Max.	
Power Voltage	Vcc	-0.3		5	V
	AVDD	-0.5		12	V
	VGH	-0.3		18	V
	VGL	-15		0.3	V
	VGH-VGL			33	V
Input Signal Voltage	Vi	-0.3		Vcc+0.3	V
	Vref(V1~V5)	0.4AVDD		AVDD+0.3	V



	Vref(V6~V10)	-0.3		0.6AVDD	V
	VCOM	4.0		4.4	V
Operating Temperature	Topa	-30		85	□
	Tsurface	-10		60	□
Storage Temperature	Tstg	-40		85	□
LED	Vf	11.2	13.2	15.2	V
	If		150	200	mA

### 3. Electrical Characteristics

#### 3.1 Typical Operating Condition

Items	Symbol	Product Specification			Unit
		Min.	Typ.	Max.	
Power Voltage	VCC	3.0	3.3	3.6	V
	AVDD	9.7	9.8	9.9	V
	VGH	14.0	15.0	16.0	V
	VCOM	4.0	4.2	4.4	V
	VGL	-6.5	-7	-7.5	V
Input Reference Voltage	V1~V5	0.4AVDD	—	AVDD-0.1	V
	V6~V10	0.1	—	0.6AVDD	V
Input H/L level Voltage	VIH	0.8VCC	—	VCC	V
	VIL	0	—	0.2VCC	V

Note: All values should be measured under the condition of GND=AVss=0V

#### 3.2 Current Consumption

Parameter	Symbol	Condition	Min.	Typ.	Max.	Unit
Current For Driver	IGH	VGH=15V		100	150	uA
	IGL	VGL=-7V		-100	-150	uA
	ICC	VCC=3.3V		3.5	5	mA
	IDD	AVDD=9.8V		20	30	mA

#### 3.3 LED Backlight Driving Condition

Parameter	Symbol	Condition	Min.	Typ.	Max.	Unit
Voltage	Vf			13.2	15.2	V
Current	If			150	200	mA





LED life time		Note 2	10,000	--	--	Hrs
---------------	--	--------	--------	----	----	-----

Note 1: Panel surface temperature should be kept less than content of section 2.2.  
 “Absolute maximum ratings”

Note 2: The “LED life time” is defined as the module brightness decrease to 50% original brightness at Ta=25°C, IL=150mA

### 3.4 AC Timing Condition

Characteristics (VCC=3.3V, AVDD=9.8V, AVSS=GND=0V, TA=25°C)

Parameter	Symbol	Min.	Typ.	Max.	Unit
CLK frequency	Fclk		40	42	MHz
CLK pulse width	Tcw	8			ns
Data set-up time	Tsu	4			ns
Data hold time	Thd	2			ns
Propagation delay of DIO2/1	Tphl	6	10	15	ns
Time for the last data to LD	Tld	1			Tcw
Pulse width of LD	Twld	2			Tcw
Time for LD to DIO1/2	Tlds	5			Tcw
POL set-up time	Tpsu	6			ns
POL hold time	Tphd	6			ns
CKV pulse width	Tckv	16	28	40	Tcw
STV setup time	Tsuv	400			ns
STV hold time	Thdv	400			ns
Vertical display start	Tsv		3		TDH
Output stable time	Tst			15	us

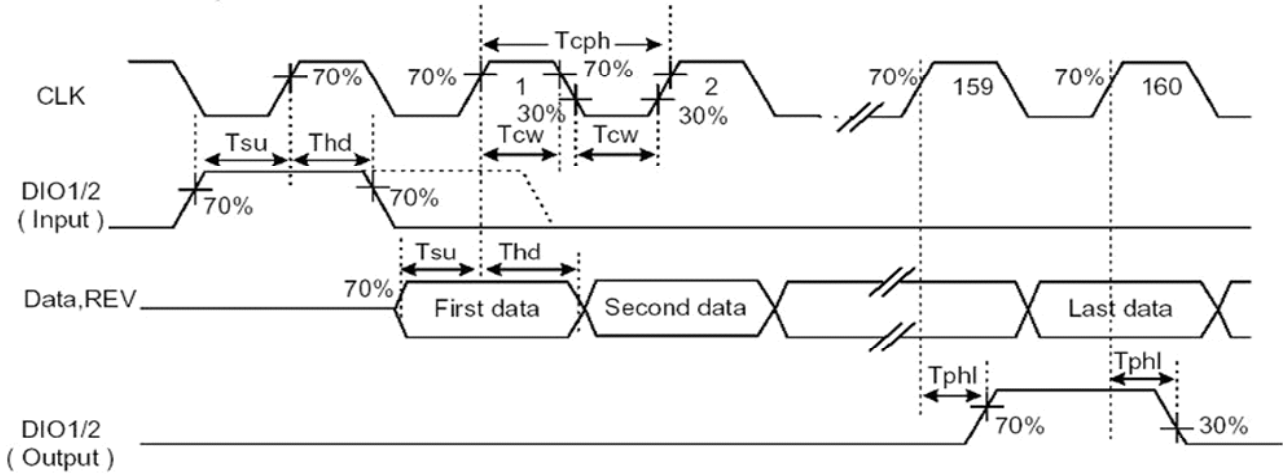
Note: The panel is designed to prevent the current leakage for the best display performance. If shorter discharge time is desired when system power off, then extra discharge circuit may be required at customer’s side.

### 3.5 Timing Diagrams

#### Operation Mode 1

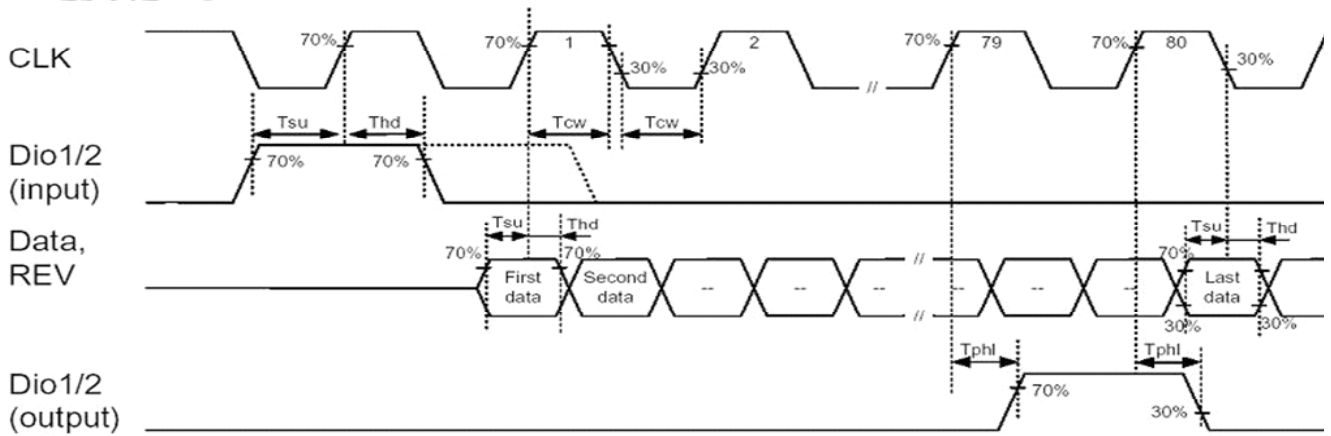
■ Timing Diagram 1 ( CHNSL="1" , Default )

<< EDGSL="0", Default >>



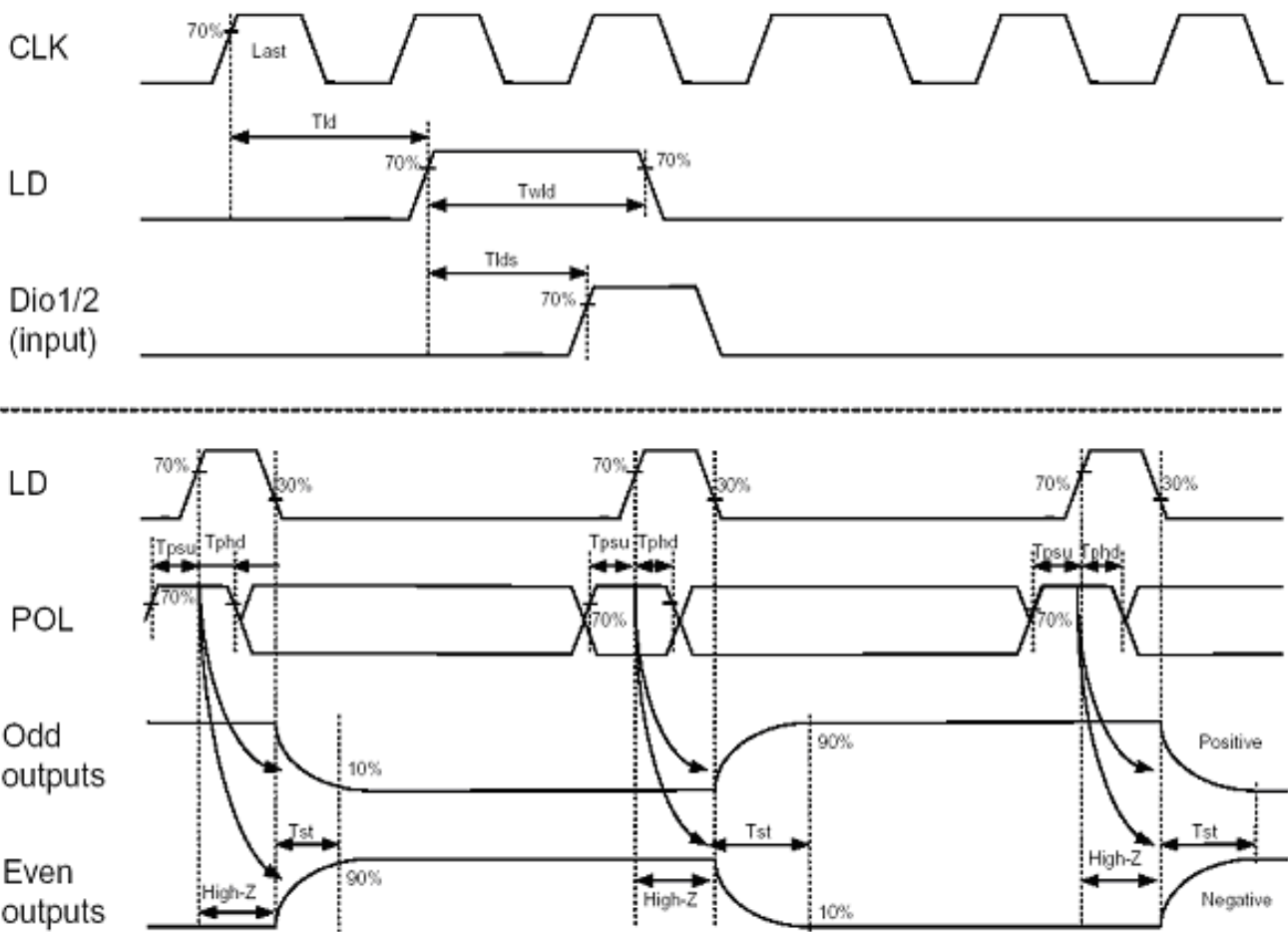
Operation Mode 2

<< EDGSL="1">>

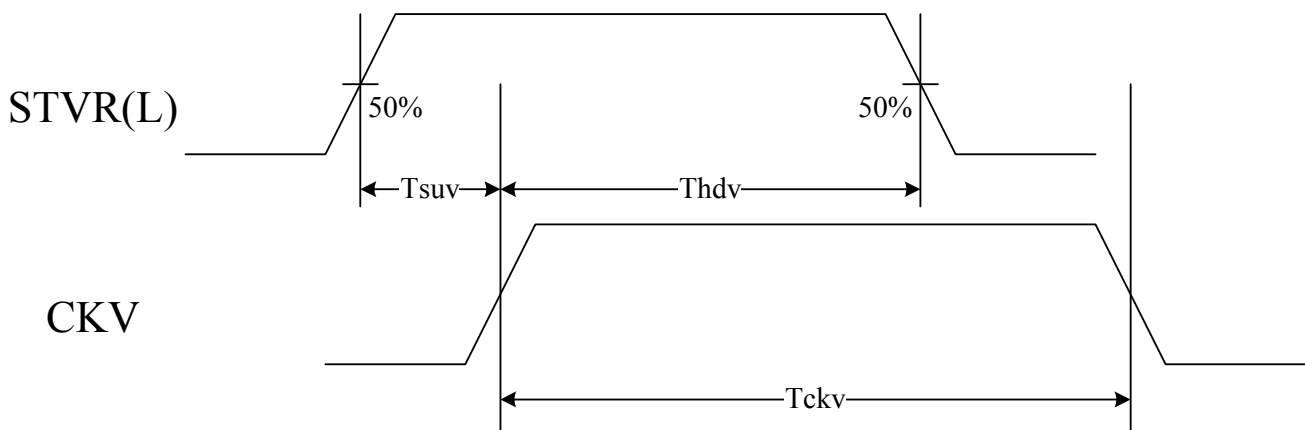


Horizontal timing

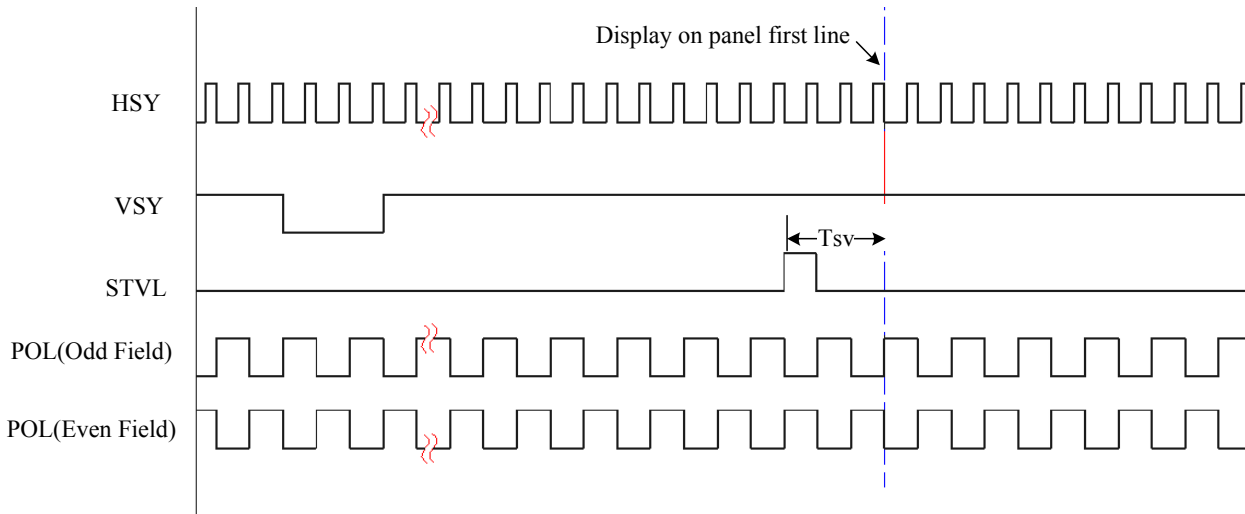
### ■ Timing Diagram 2



### Vertical shift clock timing



### Vertical timing (from up to down)



## 4. Touch Panel Specifications

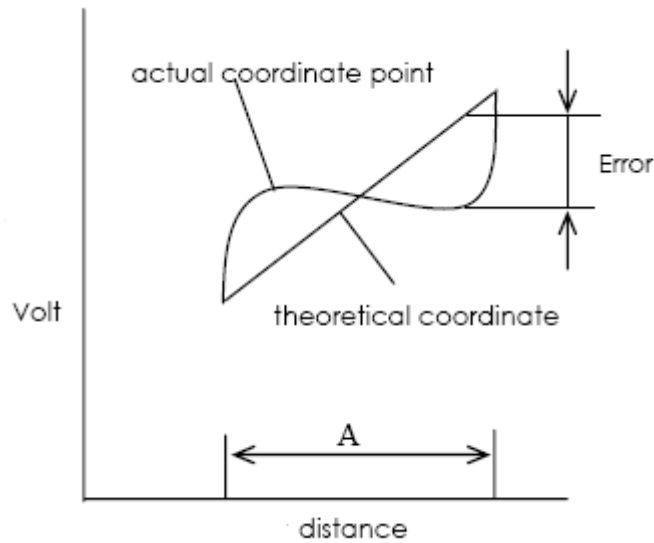
### 4.1 FPC Pin Assignment

Pin No.	Symbol	I/O
1	Right	O
2	Down	O
3	Left	O
4	Up	O

### 4.2 Electrical Characteristics

Item		Min.	Max.	Unit	Remark
Rate DC Voltage			7	V	
Terminal Resistance	X (Film)	400	1900	Ω	At connector
	Y (Glass)	100	900		
Linearity		-1.5%	1.5%	--	Note 1
Insulation Resistance		10M		Ω	DC 25V

Note 1: Measurement condition of Linearity: difference between actual voltage & theoretical voltage is an error at any points. Linearity is the value max. error voltage divided by voltage difference on active area.



### 4.3 Mechanical Characteristics

Item	Min.	Max.	Unit	Remark
Hardness of Surface	3	--	H	JIS K-5600
Operation Force (Pen or Finger)	--	80	g	Note 1

Note 1: Within "guaranteed active area", but not on the edge and dot-spacer.

### 4.4 Durability Test

Item	Min.	Max.	Unit	Remark
Touch Test	1000K		Times	Note 1
Handwriting Friction Test	100K		Times	Note 2, 3

Note 1: By using  $\Phi 12\text{mm}/R8.0\text{mm}$  silicon rubber, under the loading of 250g to impact the surface of touch panel under the speed of 2 time/second, after repeat knocking 1000k times, goods must fulfill:

Terminal Resistance: as defined in 4.2

Linearity Error: as defined in 4.2

Insulation Resistance: as defined in 4.2

Note 2: By using  $\Phi 3.0\text{mm}/R0.8\text{mm}/\text{POM}$  pen with 2.45N (250g) loading under 70mm/sec moving speed, within the touch panel 35mm linear contact range and repeat 100K times(one direction moving as test one time), goods must fulfill:

Terminal Resistance: as defined in 4.2

Linearity Error: as defined in 4.2

Insulation Resistance: as defined in 4.2

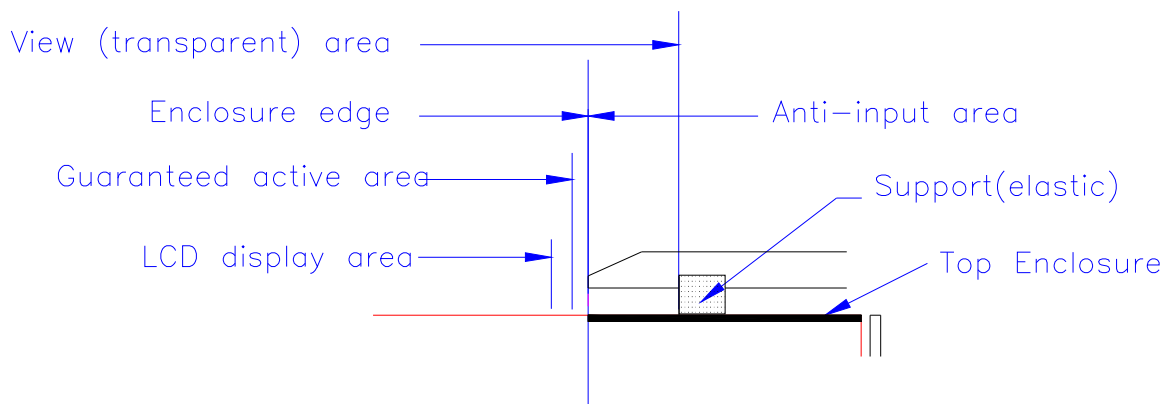
Note 3: Test area - Along the diagonals of active area of the touch panel, and the friction center is the same as the center of active area. It means that the distance is 17.5mm extended both at the friction center two sides along the diagonals of active area of the touch panel and proceeding handwriting friction test.

## 4.5 Attention

Please pay attention for below matters at mounting design of touch panel of LCD module.

- 1) Do not design enclosure pressing the view area to prevent from miss input.
- 2) Enclosure support must not touch with view area.
- 3) Do not put a heavy force along the edge of the active area.
- 4) Use elastic or non-conductive material to enclosure touch panel.
- 5) Do not bond film of touch panel with enclosure.
- 6) The touch panel edge is conductive. Do not touch it with any conductive part after mounting.

If user wants to cleaning touch panel by air gun, pressure  $2\text{kg}/\text{cm}^2$  below is suggested. Not to blow glass from FPC site to prevent FPC peeled off



- 7) Do not put a heavy shock or stress on touch panel and film surface. Ex. Don't lift the panel by film face with vacuum.
- 8) Do not lift LCD module by FPC.
- 9) Please use dry cloth or soft cloth with neutral detergent (after wring dry) or one with ethanol at cleaning. Do not use any organic solvent, acid or alkali liquor.
- 10) Do not pile touch panel. Do not put heavy goods on touch panel.

## 5. Optical Specifications

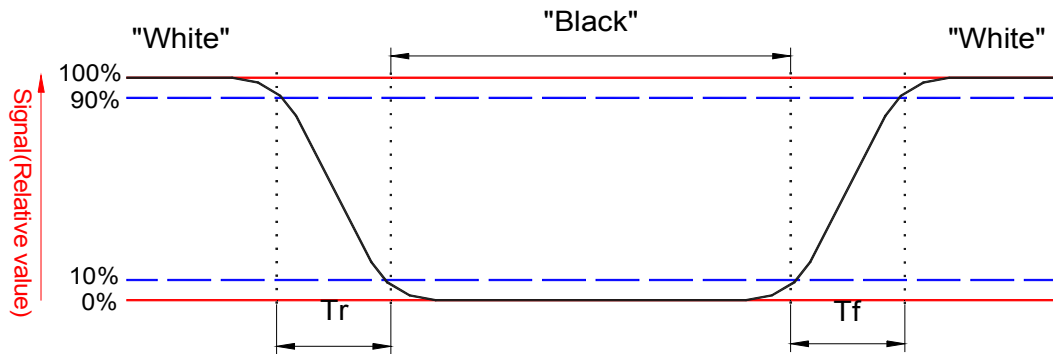
Item		Symbol	Condition	Min.	Typ.	Max.	Unit	Remark
Response time	Rise	Tr	$\theta=0^\circ$	-	6	10	ms	Note 3,5
	Fall	Tf		-	10	20	ms	
Contrast ratio		CR	At optimized Viewing angle	160	240		-	Note 4, 5
Viewing angle	Top		CR $\square$ 10	30	40		deg.	Note 5
	Bottom			50	60			
	Left			50	60			
	Right			50	60			
Viewing angle	Top		CR $\square$ 5	40	50		deg.	Note 5
	Bottom			60	70			
	Left			60	70			
	Right			60	70			
Brightness		$Y_L$	$I_L=150\text{mA}, 25^\circ$	240	320	-	nit	Note 6
White chromaticity		x	$\theta=0^\circ$		TBD			Note 6
		y	$\theta=0^\circ$		TBD			

Note 1 : Ambient temperature = 25°C, and lamp current  $I_L = 150 \text{ mA}$ . To be measured in the dark room.

Note 2 :To be measured on the center area of panel with a viewing cone of 1° by Topcon luminance meter BM-5A, after 10 minutes operation.

Note 3: Definition of response time:

The response time is defined as the time interval between the 10% and 90% of amplitudes. The output signals of photo detector are measured when the input signals are changed from “black” to “white”(falling time) and from “white” to “black”(rising time).



Note 4. Definition of contrast ratio:

Contrast ratio is calculated with the following formula.

$$\text{Contrast ratio (CR)} = \frac{\text{Photo detector output when LCD is at "White" state}}{\text{Photo detector output when LCD is at "Black" state}}$$

Note 5. White Vdata=V5 or V6

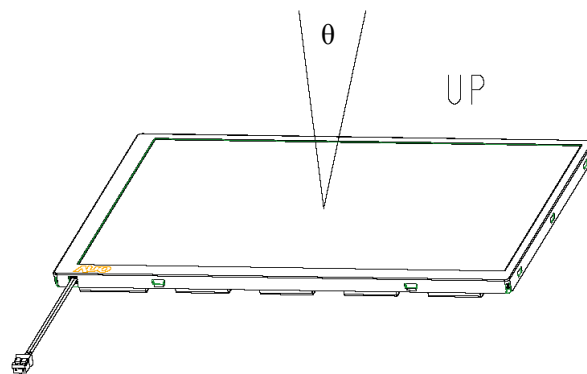
Black Vdata=V1 or V10

(For definition of V1, V5, V6 & V10, please refer to section 9.1)

The 100% transmission is defined as the transmission of LCD panel when all the input terminals of module are electrically opened.

Note 6. Brightness and White Chromaticity are measured at the center area of the panel at white frame.

Note 7. For definition of viewing angle please refer to figure as below.





## 6. Reliability Test Items

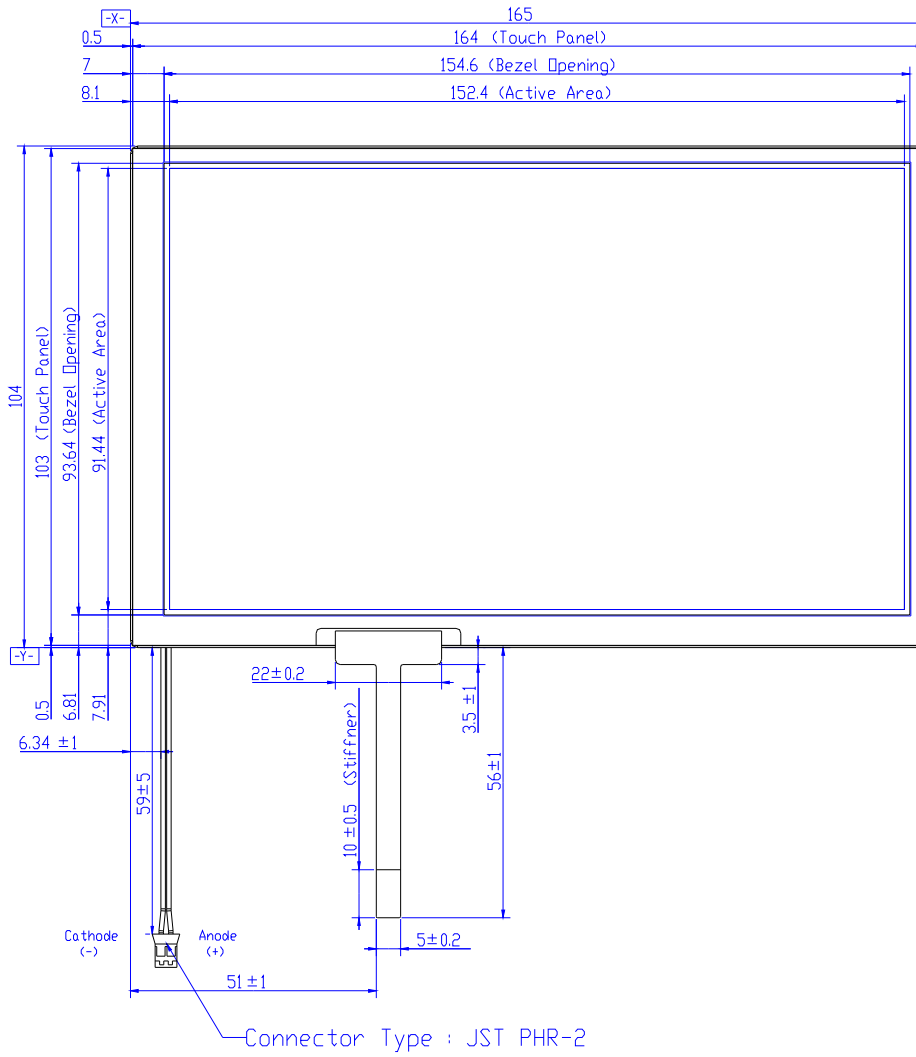
No.	Test items	Conditions		Remark
1	High temperature storage	Ta= 85□	240Hrs	
2	Low temperature storage	Ta= -40□	240Hrs	
3	High temperature	Ta= 85□	240Hrs	
4	Low temperature	Ta= -30□	240Hrs	
5	High temperature and high humidity	Ta= 60□, 90% RH	240Hrs	Operation
6	Heat shock	-30□~85□/100 cycles 1Hrs/cycle		Non-operation
7	Electrostatic discharge	±200V,200pF(0Ω), once for each terminal		Non-operation
8	Vibration	Frequency range	8~33.3Hz	JIS D1601,A10 Condition A
		Stoke	1.3mm	
		Sweep	2.9G, 33.3~400Hz	
		Cycle	15min.	
		2 hours for each direction of X, Z		
9	Mechanical shock	100G, 6ms, ±X,±Y,±Z 3 times for each direction		
10	Vibration (with carton)	Random vibration: 0.015G <sup>2</sup> /Hz from 5~200Hz -6dB/Octave from 200~500Hz		IEC 68-34
11	Drop (with carton)	Height: 60cm 1 corner, 3 edges, 6 surfaces		

Note 1: Ta: Ambient temperature.

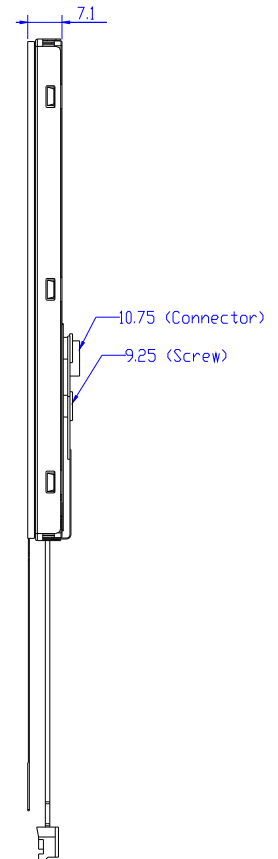
Note 2: In the standard conditions, there is not display function failure issue occurred. All the cosmetic specification is judged before the reliability stress.

## 7. Outline Dimension

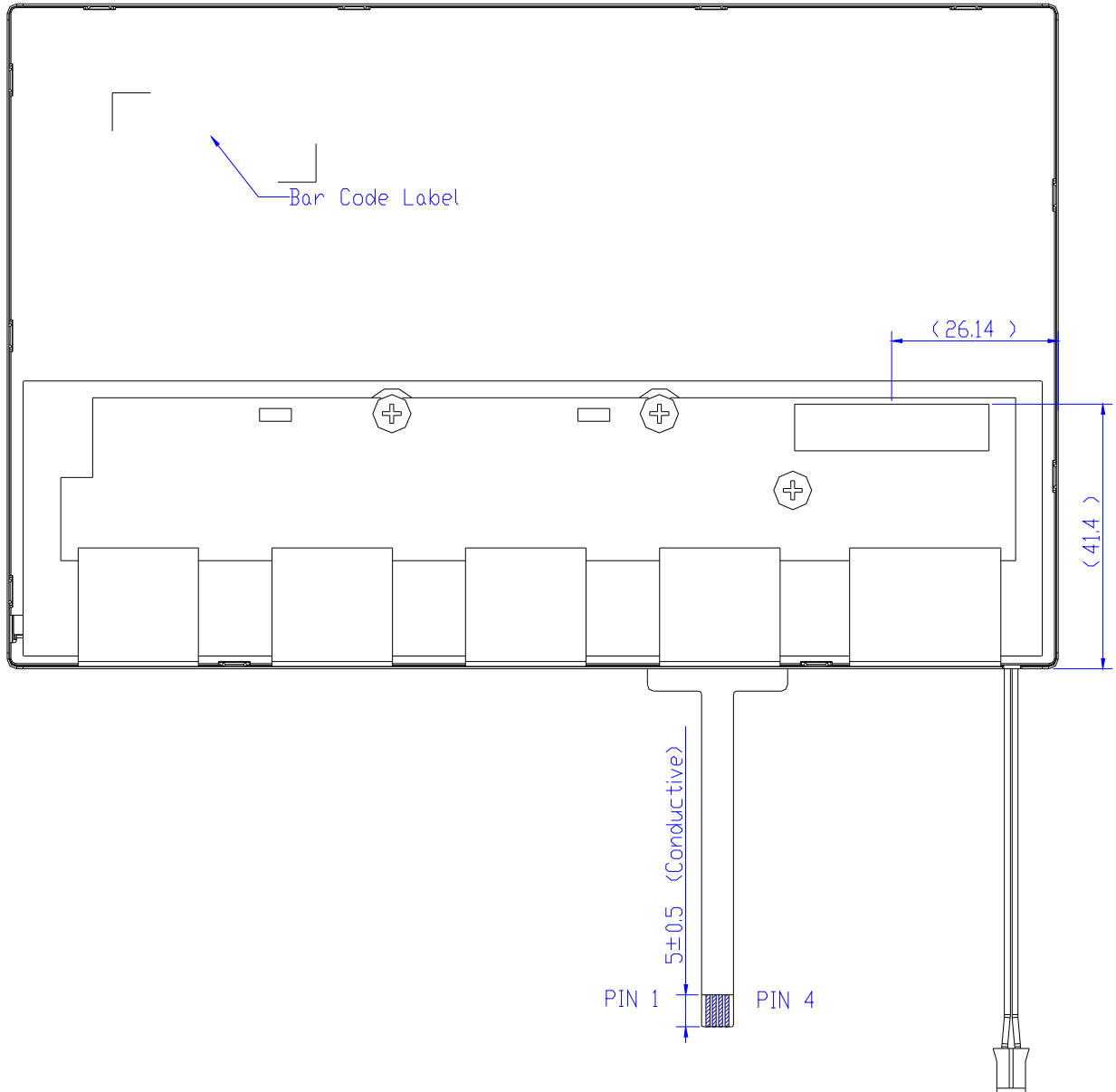
### Front View



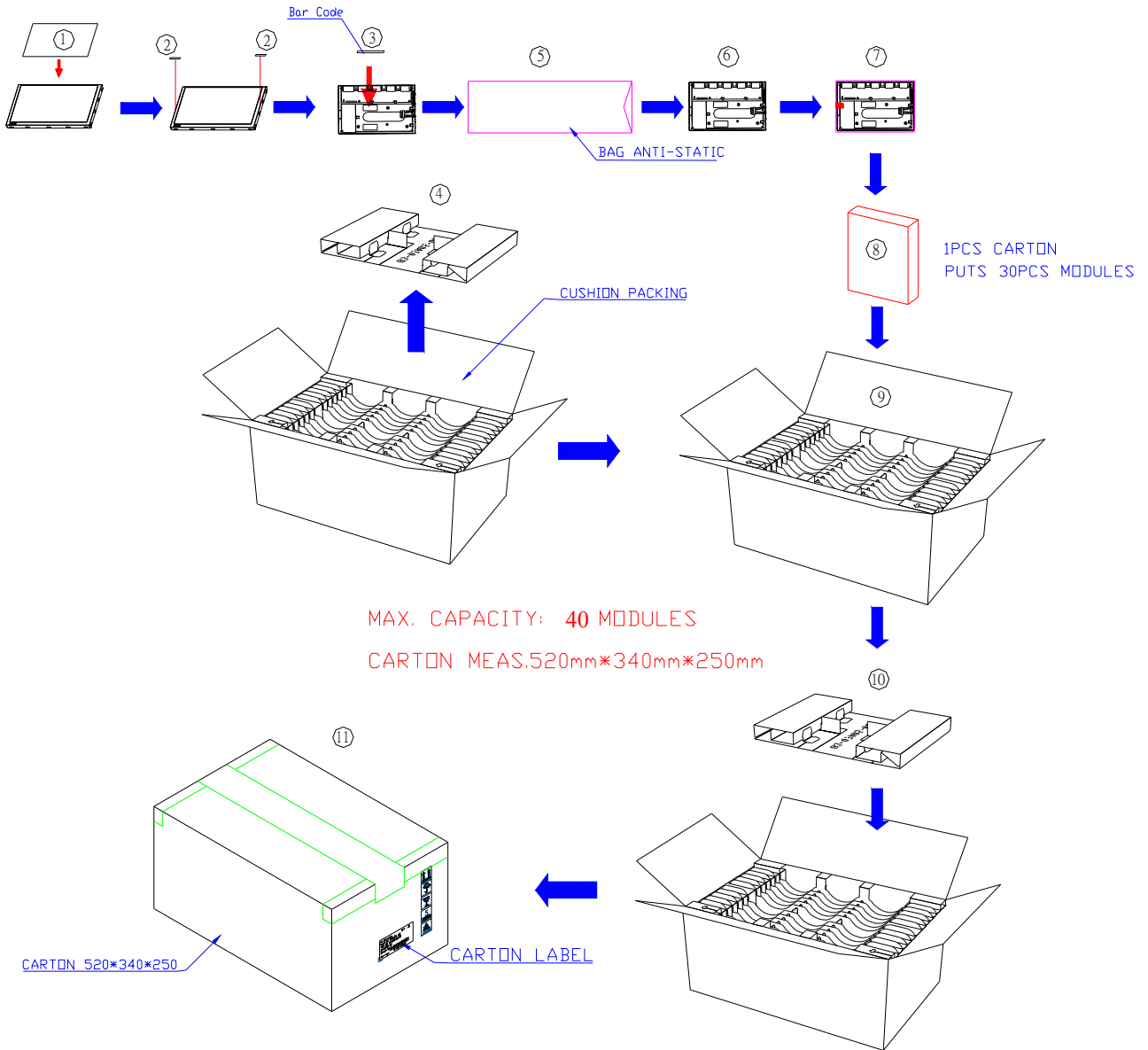
GENERAL TOLERANCE : ±0.3



## Rear View



## 8. Packing Form



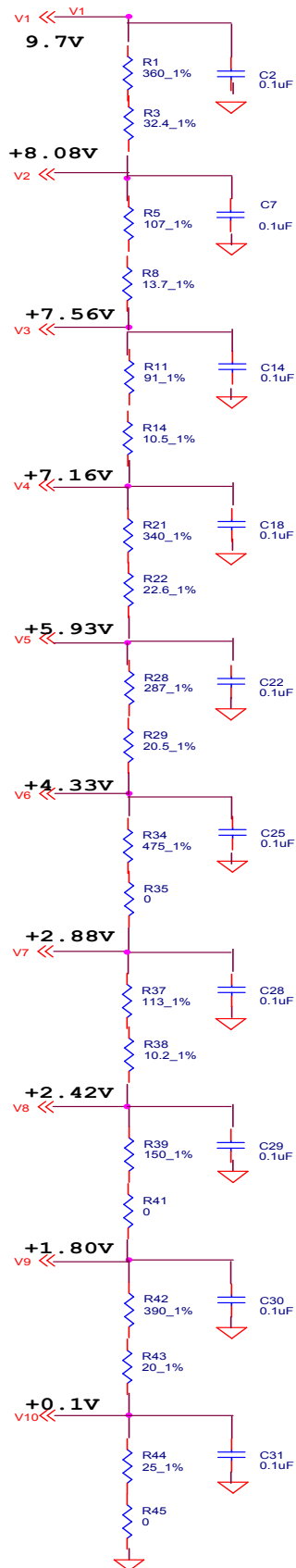


## 9. Application Notes

### 9.1 Typical application circuit

Gamma circuit:

	AVDD	9.80
00H	V1	9.70
10H	V2	8.08
20H	V3	7.56
30H	V4	7.16
3FH	V5	5.93
3FH	V6	4.33
30H	V7	2.88
20H	V8	2.42
10H	V9	1.80
00H	V10	0.10





## 9.2 Power On/Off sequence

Panel Gate IC is a high-voltage LCD driver, so it may be damaged by a large current flow if an incorrect power sequence is used. Connecting the driver powers, VGL & VGH, after the logical power, VCC, is the recommended sequence. When shutting off the power, shut off the drive power and then the logic system or turn off all powers simultaneously.

### \* Power on/off Sequence \*

