

Spec.No.DDPM-M150XN05-0.5

Version: 6

Total pages: 24

Date: 2003-October-13

## AU OPTRONICS CORPORATION

### Product Specifications

**15.0" XGA Color TFT-LCD Module**

**Model Name: M150XN05  
V.6**

Approved by	Prepared by

*AUOptronics Corporation*

Customer	Checked & Approved by

**Product Specifications**

**15.0" XGA Color TFT-LCD Module**  
**Model Name:M150XN05**  
**V.6**

**( u ) Preliminary Specifications**  
**( ) Final Specifications**

# **i Contents**

## **1.0 Handling Precautions**

## **2.0 General Description**

- 2.1 Display Characteristics
- 2.2 Functional Block Diagram

## **3.0 Absolute Maximum Ratings**

## **4.0 Optical Characteristics**

- 4.1 Signal for Lamp connector
- 4.2 Parameter guideline for CCFL Inverter

## **5.0 Signal Interface**

- 5.1 Module Interface Connectors
- 5.2 Module Connector Pin Configuration
- 5.3 Backlight Connectors
- 5.4 Backlight Connector Pin Configuration
- 5.5 Signal Electrical Characteristics
- 5.6 Interface Timings Characteristics
- 5.7 Interface Timing Definition

## **6.0 Pixel format image**

## **7.0 Power Consumption**

## **8.0 Power ON/OFF Sequence**

## **9.0 Backlight Characteristics**

- 9.1 Signal for Lamp connector
- 9.2 Parameter guideline for CCFL Inverter

## **10.0 Vibration, Shock, and Drop**

- 10.1 Vibration & Shock
  - 10.1.1 Vibration Test Spec
  - 10.1.2 Shock Test Spec
- 10.2 Drop

## **11.0 Environment**

- 11.1 Temperature and Humidity
  - 11.1.1 Operating Conditions
  - 11.1.2 Shipping Conditions
- 11.2 Atmospheric Pressure
- 11.3 Thermal Shock

## **12.0 Reliability**

- 12.1 Failure criteria
- 12.2 Failure rate
  - 12.2.1 Usage
  - 12.2.2 Components de-rating
- 12.3 CCFL life
- 12.4 ON/OFF cycle

## 13.0 Safety

13.1 Sharp edge requirement

13.2 Material

13.2.1 Toxicity

13.2.2 Flammability

13.3 Capacitors

13.4 Hazardous voltage

## 14.0 Other requirements

14.1 Smoke free design

14.2 National test lab requirement

## 15.0 Label

## 16.0 Mechanical Characteristics

## ii Record of Revision

Version and Date	Page	Old description	New Description	Remark
0.1 2003/06/02	All	First Edition for Customer	All	
0.2 2003/09/15	10	Input Voltage of Signal Max= VDD+0.3 V	Max= 3.6 V	Update
	10	CCFL Current Min= 3.0 mA	Min= 2.5 mA	Update
	17	LCD Driver Power consumption Max= 4.2 W	Max= 4.3 W	Update
	18	CCFL operation range Min= 3.0mA	Min=2.5 mA	Update
	18	CCFL Ignition Voltage (25 °C ) Min= 1000V	Min= 1100 V	Update
	18	CCFL Ignition Voltage (0 °C ) Min= 1300V	Min= 1450 V	Update
0.3 2003/09/23	06	Power Consumption (VDD line + CCFL line)=12.7 W	Power Consumption (VDD line + CCFL line)=13.3W	Update
	18	CCFL Discharge Voltage Typ= 590V, Max= 650V	Min= 600V (@8.5mA) Typ= 620V (@8.0mA) Max=710V (@2.5mA)	Update
	18	CCFL Power Consumption Typ=9.4W, Max=10.4W	Typ= 10W Max=11W	Update
0.4 2003/10/03	14	Vertical sync, 1/TV= NA	1/TV= 50	Update
0.5 2003/10/13	11	Viewing Angle CR = 5, Vertical(Upper), Min=60, Typ=70	Min=45 Typ=50	Update
	18	CCFL Discharge Voltage Min= 600V (@8.5mA)	Min= NA	Update
	23, 24	Mechanical drawing		Update

## 1.0 Handling Precautions

- 1) Since the upper polarizer can be easily damaged, pay attention not to scratch it.
- 2) Be sure to turn off power supply when inserting or disconnecting from input connector.
- 3) Wipe off water drop immediately. Long contact with water may cause discoloration or spots.
- 4) When the panel surface is soiled, wipe it with absorbent cotton or other soft cloth.
- 5) Since the panel is made of glass, it may break or crack if dropped or bumped on hard surface.
- 6) Since CMOS LSI is used in this module, take care of static electricity and insure human earth when handling.
- 7) Do not open or modify the Module Assembly.
- 8) Do not press the reflector sheet at the back of the module to any directions.
- 9) In case if a Module has to be put back into the packing container slot after once it was taken out from the container, do not press the center of the CCFL Reflector edge. Instead, press at the far ends of the CCFL Reflector edge softly. Otherwise the TFT Module may be damaged.
- 10) At the insertion or removal of the Signal Interface Connector, be sure not to rotate nor tilt the Interface Connector of the TFT Module.
- 11) After installation of the TFT Module into an enclosure (LCD monitor housing, for example), do not twist nor bend the TFT Module even momentarily. At designing the enclosure, it should be taken into consideration that no bending/twisting forces are applied to the TFT Module from outside. Otherwise the TFT Module may be damaged.
- 12) Cold cathode fluorescent lamp in LCD contains a small amount of mercury. Please follow local ordinances or regulations for disposal.
- 13) Small amount of materials not reaching flammability grade is used in the LCD module. The LCD module should be supplied by power complied with requirements of Limited Power Source (2.11, IEC60950 or UL1950), or be complied exemption.
- 14) The LCD module is designed for CCFL to be supplied by Limited Current Circuit (2.4, IEC60950 or UL1950). Do not connect the CCFL in Hazardous Voltage Circuit.

## 2.0 General Description

This specification applies to the 15.0 inch Color TFT-LCD Module M150XN05.

The display supports the XGA (1024(H) x 768(V)) screen format and 262,144 colors (RGB 6-bits data).

All input signals are 2 Channel TTL interface compatible.

This module does not contain an inverter card for backlight.

### Features

- XGA 1024(H) x 768(V) resolution
- 2 CCFLs (Cold cathode Fluorescent Lamp)
- High contrast ratio, high aperture ratio
- Wide viewing angle
- High-speed response
- Low power consumption

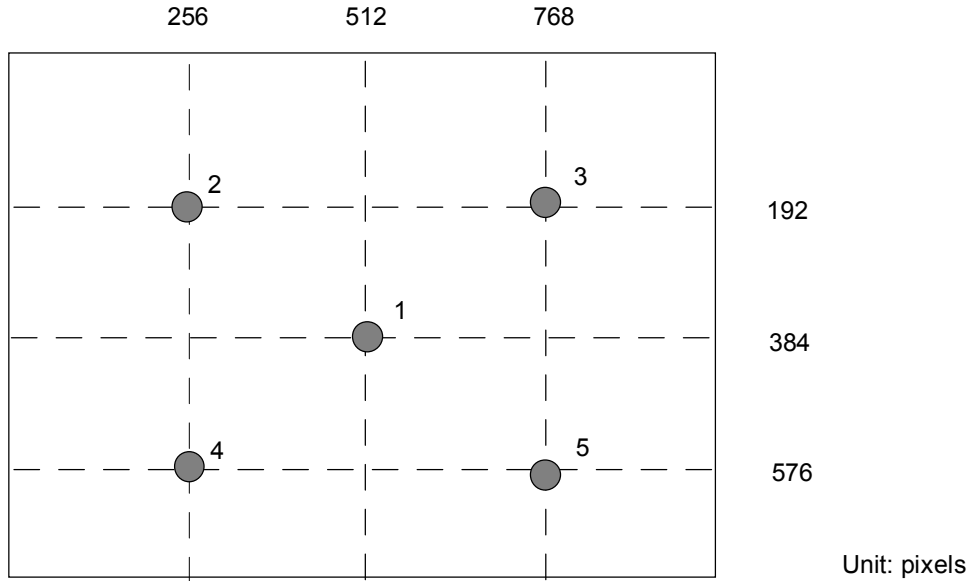
### Application

Desktop monitors

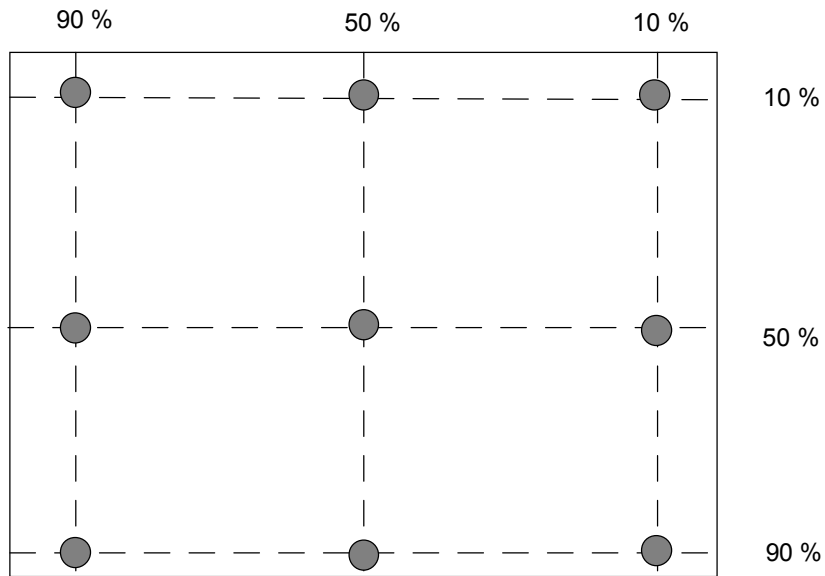
## 2.1 Display Characteristics

The following items are characteristics summary on the table under 25 °C condition:

ITEMS	Unit	SPECIFICATIONS
Screen diagonal	[mm]	381 (15")
Outline dimension	[mm]	326 x 249.0 x 12.0 (Typ.)
Display Area	[mm]	304.128 (H) x 228.096(38.1cm diagonal)
Resolution		1024(R,G,B x 3) x 768
Pixel Pitch	[mm]	0.297 x 0.297
Pixel Arrangement		R.G.B. Vertical Stripe
Display Mode		TN mode, Normally White
Typical white Luminance.	[cd/m <sup>2</sup> ]	250nit (Typ.) @8mA <b>(Note 1)</b>
Brightness uniformity		80% (Typ.) <b>(Note 2)</b>
Luminance uniformity		1.7 (Max.) <b>(Note 3)</b>
Crosstalk (at 60Hz)		1.2% (Max.) <b>(Note 4)</b>
Contrast Ratio		400 : 1 (Typ.)
Support Colors		262,144 colors (6-bit for R,G,B)
Chromaticity(CIE1931)		
White-x		0.313
White-y		0.329
Color Gamut		60% (Typ.), of NTSC coverage
Viewing angle		60(left), 60(right), 40(up), 60(down) CR=10
Response Time	[msec]	16ms (Typ.) (Tr +Tf)
Nominal Input Voltage VDD	[Volt]	+3.3 V
Power Consumption (VDD line + CCFL line)	[Watt]	13.3W(Typ.) @8mA (All Black Pattern)
Electrical Interface		TTL 2 Port
Frame rate	[Hz]	60Hz (Typ.), 75Hz (Max.)
Weight	[Grams]	1100 (Typ.)
Mounting method		Side mounting
Surface treatment		Anti-glare, hard coating (3H)
Temperature Range		
Operating	[°C]	0 to +50
Storage (Shipping)	[°C]	-20 to +60



Note 1: Brightness is measured at the center point of brightness value with all pixels displaying white.



Unit: percentage of dimension of display area

Note 2: Brightness uniformity of these 9 points is defined as below:

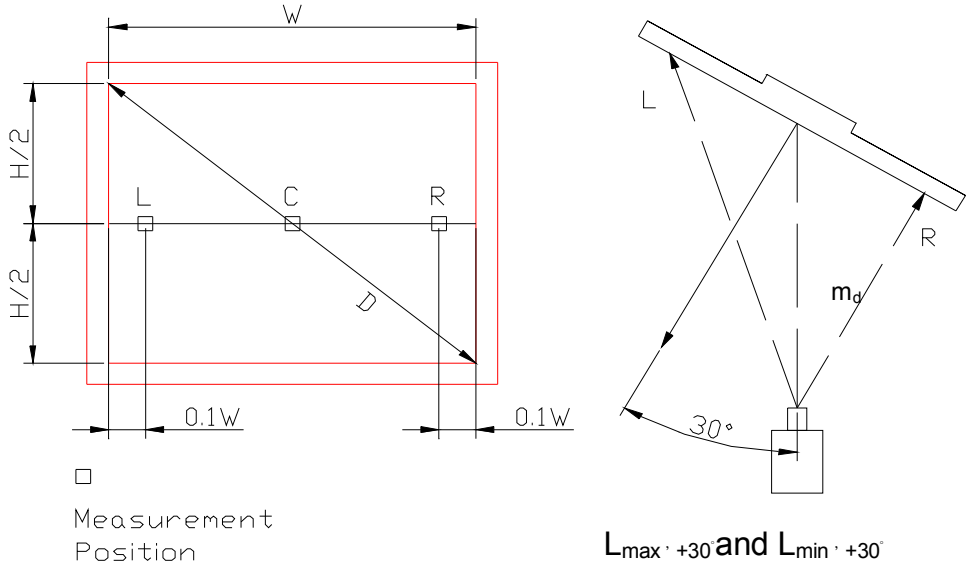
$$(\text{Min. brightness} / \text{Max. brightness}) \times 100\%$$

Note 3: TCO '99 Certification Requirements and test methods for environmental labeling of Display Report No. 2 defines Luminance uniformity as below:

$$((L_{\text{max},+30\text{deg.}} / L_{\text{min},+30\text{deg.}}) + (L_{\text{max},-30\text{deg.}} / L_{\text{min},-30\text{deg.}})) / 2$$

TCO 99 certification requirements and test methods

1) Diagrammatic :



Effective area :  $W \times H$

2) D is the diagonal of the screen in centimeters. And  $m_d$  is as follow.

$$m_d(\text{cm}) = D \times 1.5 \text{ with a minimum distance : } m_d = 50 \text{ cm}$$

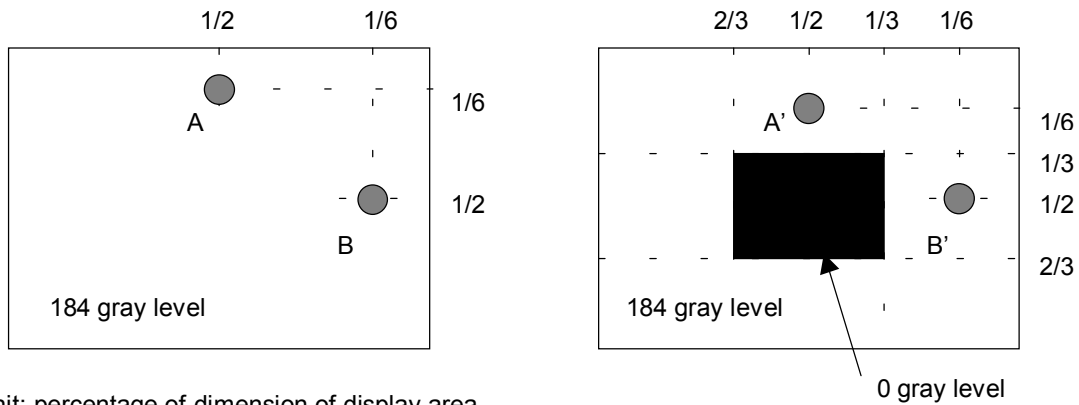
3) The measurement positions shall consist of an active white square of size 4 by 4 cm.

4) Measure  $L_{\text{max} \cdot +30}$  and  $L_{\text{min} \cdot +30}$  that are given as points L & R. And then rotated to an azimuth angle of  $-30$  degrees and measure  $L_{\text{max} \cdot -30}$  and  $L_{\text{min} \cdot -30}$  again using the same procedure.

5) The variation in luminance ratio is calculated as the ratio:

$$L_R = ((L_{\text{max} \cdot +30} / L_{\text{min} \cdot +30}) + (L_{\text{max} \cdot -30} / L_{\text{min} \cdot -30})) / 2 \leq 1.7$$

Note 4:



Unit: percentage of dimension of display area

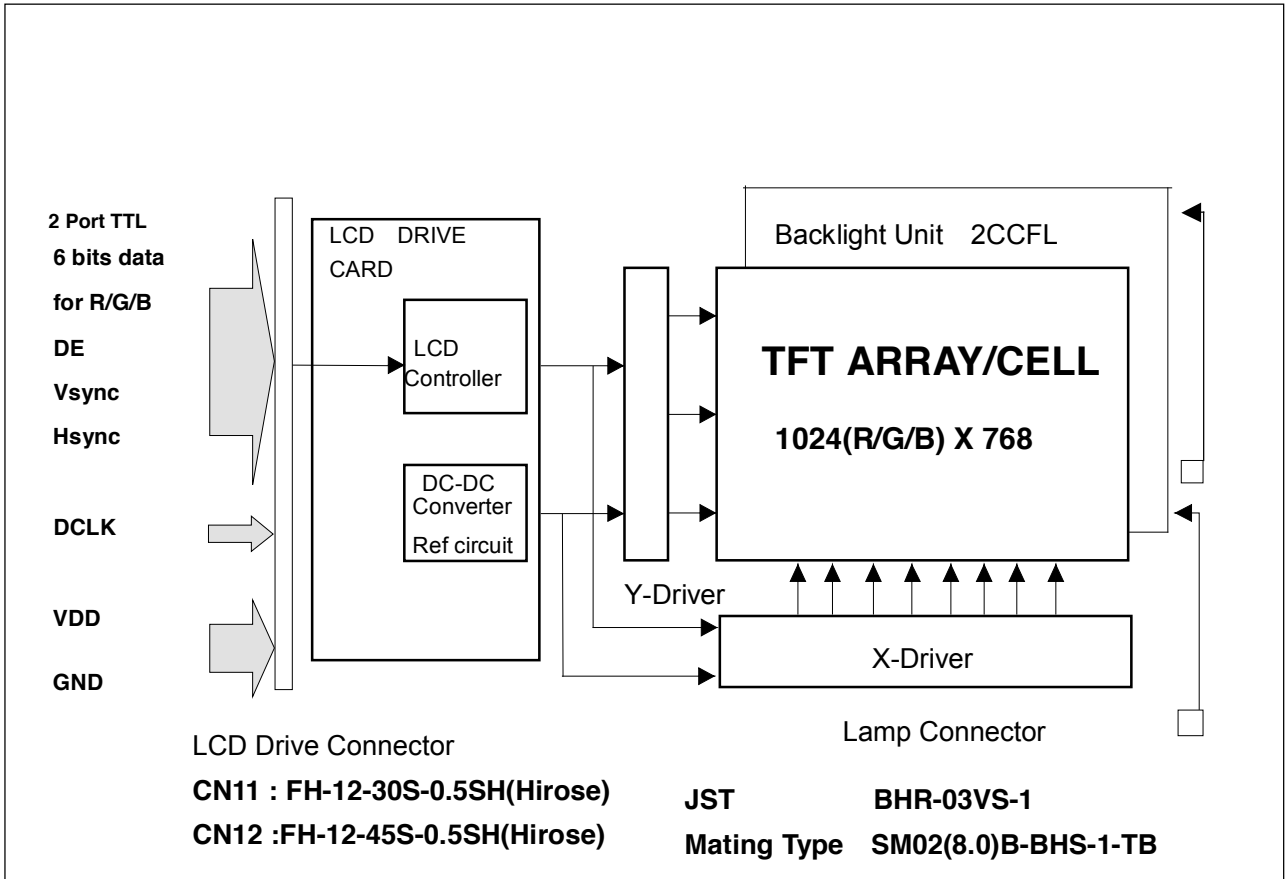
$$|L_A - L_{A'}| / L_A \times 100\% = 1.2\% \text{ max.}, L_A \text{ and } L_B \text{ are brightness at location A and B}$$

$$|L_B - L_{B'}| / L_B \times 100\% = 1.2\% \text{ max.}, L_{A'} \text{ and } L_{B'} \text{ are brightness at location A' and B'}$$



## 2.2 Functional Block Diagram

The following diagram shows the functional block of 15.0 inches Color TFT-LCD Module:



### 3.0 Absolute Maximum Ratings

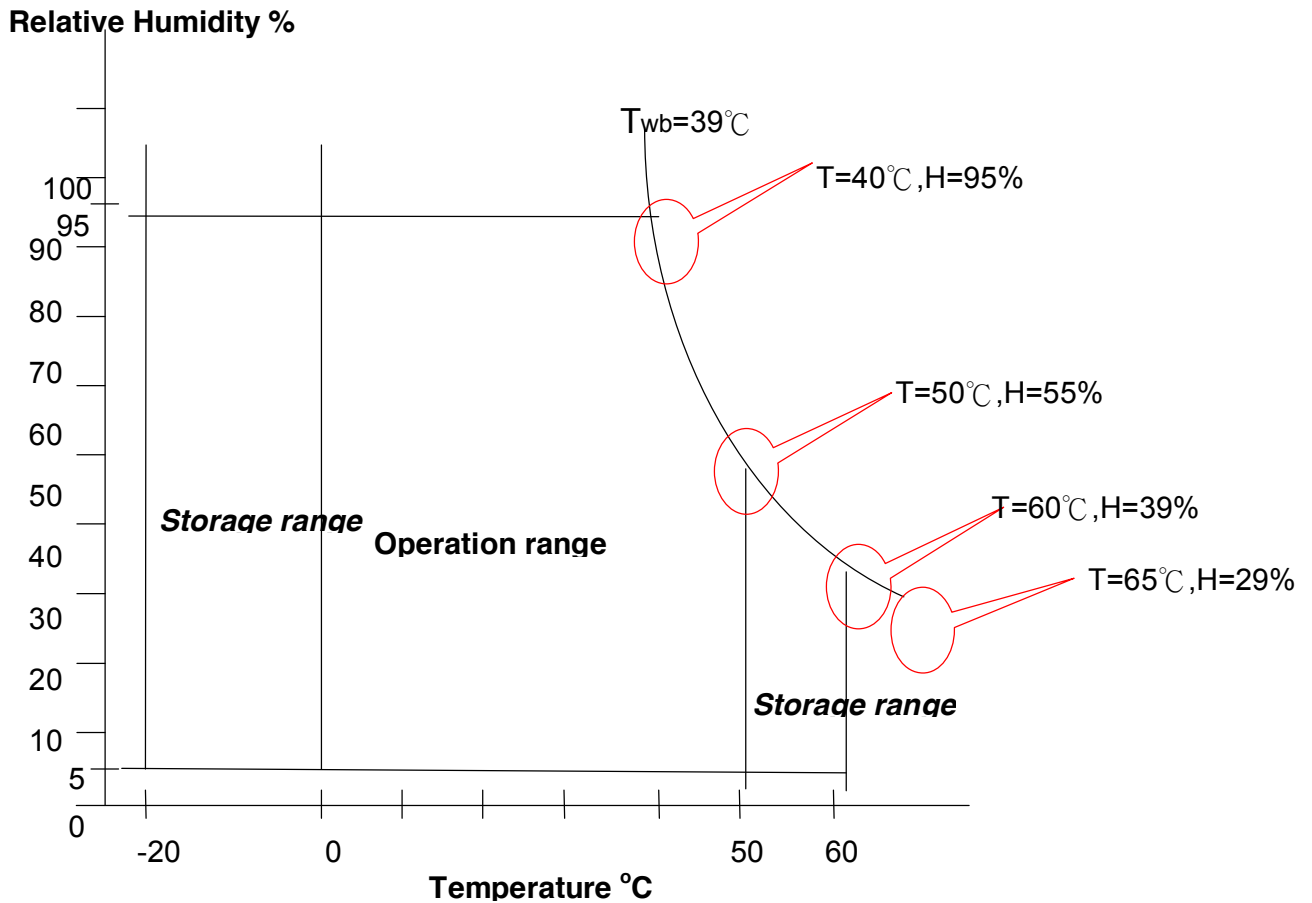
Absolute maximum ratings of the module is as following:

Item	Symbol	Min	Max	Unit	Conditions
Logic/LCD Drive Voltage	VDD	-0.3	+3.6	[Volt]	
Input Voltage of Signal	Vin	-0.3	+3.6	[Volt]	
CCFL Current	ICFL	2.5	8.5	[mA] rms	Note 1
Operating Temperature	TOP	0	+50	[°C]	Note 2
Operating Humidity	HOP	20	85	[%RH]	Note 2
Storage Temperature	TST	-20	+60	[°C]	Note 2
Storage Humidity	HST	5	95	[%RH]	Note 2
Vibration		-	1.5 / 10-200	[G / Hz]	
Shock		-	50/20	[G / ms]	Half sine wave
Assured Torque at Side Mount		-	2.0	[kgf.cm]	
Re-screw		-	3	[Times]	

**Note 1: CCFL life time will drop tremendously if exceeding 8.0mA; It will have safety concern if exceeding 8.5mA.**

**Note 2 : Maximum Wet-Bulb should be 39°C and No condensation.**

#### Wet bulb temperature chart



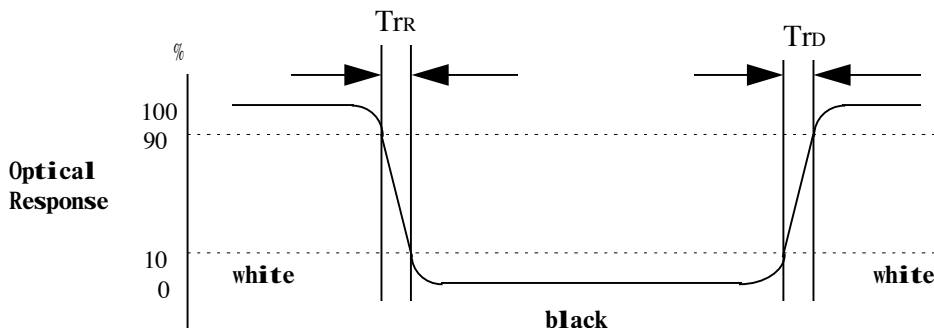
## 4.0 Optical Characteristics

The optical characteristics are measured under stable conditions at 25 °C (Room Temperature):

Item	Unit	Conditions	Min.	Typ.	Max.
Viewing Angle	[degree]	Horizontal (Right)	50	60	-
		CR = 10 (Left)	50	60	
	[degree]	Horizontal (Right)	60	75	
		CR =5 (Left)	60	75	
CR: Contrast Ratio	[degree]	Vertical (Upper)	30	40	-
		CR = 10 (Lower)	50	60	
	[degree]	Vertical (Upper)	45	50	
		CR = 5 (Lower)	65	75	
Contrast ratio		Normal Direction	300	400	-
Response Time( Note 1)	[msec]	Raising Time Ton ( 10%-90% )	-	4	6
	[msec]	Falling Time Toff ( 90%-10% )	-	12	17
	[msec]	Raising + Falling	-	16	23
Color / Chromaticity Coordinates (CIE)		Red x	0.587	0.617	0.647
		Red y	0.317	0.347	0.377
		Green x	0.260	0.290	0.320
		Green y	0.563	0.593	0.623
		Blue x	0.118	0.148	0.178
		Blue y	0.070	0.100	0.130
Color Coordinates (CIE) White		White x	0.283	0.313	0.343
		White y	0.299	0.329	0.359
Brightness Uniformity	[%]		75	80	-
White Luminance at CCFL 8.0mA	[cd/m <sup>2</sup> ]		200	250	-
White Luminance at CCFL 6.5mA			170	200	-
Crosstalk ( in 60Hz)	[%]		-	-	1.2

Note 1: Definition of Response time:

The output signals of photodetector are measured when the input signals are changed from “ Black” to “ White” (falling time), and from “White” to “ Black” (rising time), respectively. The response time interval between the 10% and 90% of amplitudes. Refer to figure as below.



(C) Copyright AU Optronics, Inc.

Sep. 2002 All Rights Reserved.

M150XN05-6 Ver0.5

11/25

No Reproduction and Redistribution Allowed.

## 5.0 Signal Interface

### 5.1 Module Interface Connectors

Physical interface is described as for the connector on module.

These connectors are capable of accommodating the following signals and components:

<b>Connector Name</b>	Interface Connector
<b>Manufacturer</b>	Hirose, P-two, or compatible
<b>Type / Part Number</b>	CN11 :FH-12-30S-0.5SH (Hirose), P-two, or equivalent.
	CN12 :FH-12-45S-0.5SH (Hirose), P-two, or equivalent

### 5.2 Module Connector Pin Configuration

CN11: FH-12-30S-0.5SH (Hirose) or P-two			CN12: FH-12-45S-0.5SH (Hirose) or P-two		
Pin No.	Symbol	Description	Pin No.	Symbol	Description
1	GND	Ground	1	GND	Ground
2	BE5	Blue even data (MSB)	2	CLK	Data clock
3	BE4	Blue even data	3	GND	Ground
4	BE3	Blue even data	4	DENA	Data enable
5	BE2	Blue even data	5	GND	Ground
6	GND	Ground	6	VD	Vertical sync
7	BE1	Blue even data	7	GND	Ground
8	BE0	Blue even data (LSB)	8	HD	Horizontal sync
9	NC	Reserve	9	GND	Ground
10	NC	Reserve	10	GND	Ground
11	GND	Ground	11	GND	Ground
12	GE5	Green even data (MSB)	12	BO5	Blue odd data (MSB)
13	GE4	Green even data	13	BO4	Blue odd data
14	GE3	Green even data	14	BO3	Blue odd data
15	GE2	Green even data	15	BO2	Blue odd data
16	GND	Ground	16	GND	Ground
17	GE1	Green even data	17	BO1	Blue odd data
18	GE0	Green even data (LSB)	18	BO0	Blue odd data (LSB)
19	NC	Reserve	19	NC	Reserve
20	NC	Reserve	20	NC	Reserve
21	GND	Ground	21	GND	Ground
22	RE5	Red even data (MSB)	22	GO5	Green odd data (MSB)
23	RE4	Red even data	23	GO4	Green odd data
24	RE3	Red even data	24	GO3	Green odd data

25	RE2	Red even data	25	GO2	Green odd data
26	GND	Ground	26	GND	Ground
27	RE1	Red even data	27	GO1	Green odd data
28	RE0	Red even data (LSB)	28	GO0	Green odd data (LSB)
29	NC	Reserve	29	NC	Reserve
30	NC	Reserve	30	NC	Reserve
			31	GND	Ground
			32	RO5	Red odd data (MSB)
			33	RO4	Red odd data
			34	RO3	Red odd data
			35	RO2	Red odd data
			36	GND	Ground
			37	RO1	Red odd data
			38	RO0	Red odd data (LSB)
			39	NC	Reserve
			40	NC	Reserve
			41	VCC	Power input +3.3V
			42	VCC	Power input +3.3V
			43	VCC	Power input +3.3V
			44	NC	Reserve
			45	NC	Reserve

### 5.3 Backlight Connectors

<b>Connector Name / Designation</b>	For Lamp Connector
<b>Manufacturer</b>	JST or compatible
<b>Type / Part Number</b>	BHR-03VS-1
<b>Mating Type / Part Number</b>	SM02(8.0)B-BHS-1-TB

### 5.4 Backlight Connector Pin Configuration

Pin	Symbol	Description
1	HV	Lamp High Voltage
2	NC	No connection
3	LV	Ground

Cable length: 150 +- 5 mm

Connector-output position: right side (front view)

Lamp assembly design shall be easy for replacement and repair.

## 5.5 Signal Electrical Characteristics

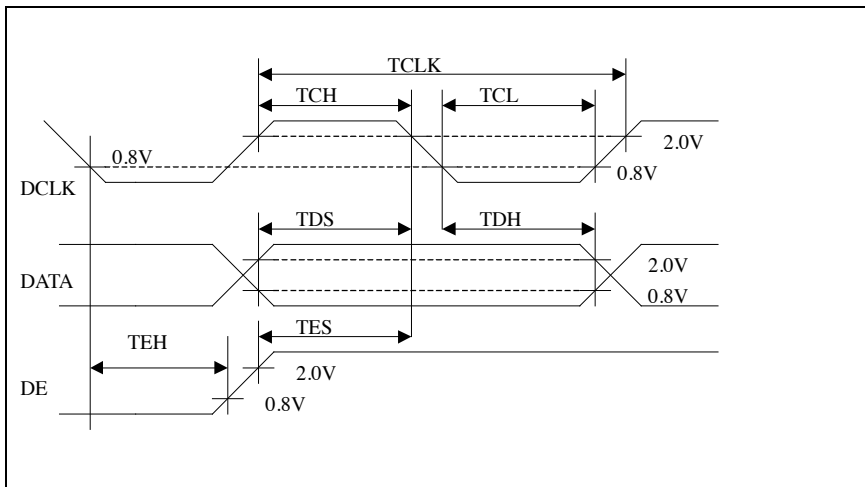
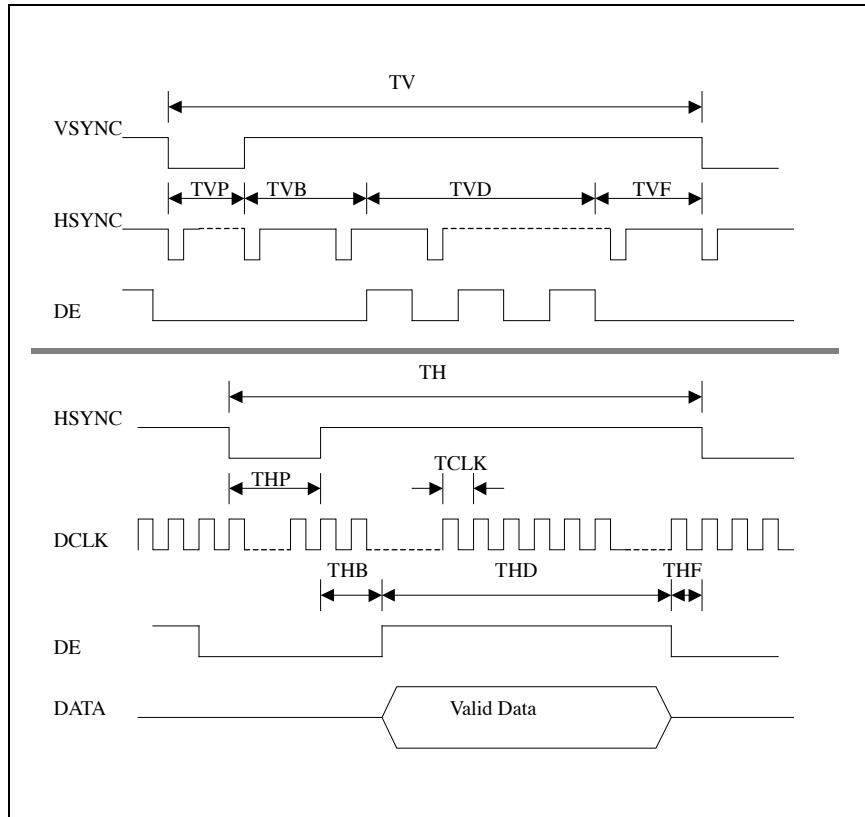
Each signal characteristics are as follows:

Item	Symbol	Min	Typ	Max	Unit
LCD Drive voltage	VDD	+3.0	+3.3	+3.6	[V]
“High” input signal voltage	Vih	2.0	-	-	[V]
“Low” input signal voltage	Vil	-	-	0.8	[V]

## 5.6 Interface Timings Characteristics

Signal	Item	Symbol	MIN	TYP	MAX	Unit
DCLK	Frequency	1/TDCLK	-	32.5	40.0	MHz
	Period	TDCLK	25	30.8	-	ns
	High time	TCH	0.4	0.5	0.6	TDCLK
	Low time	TCL	0.4	0.5	0.6	TDCLK
DATA	Setup time	TDS	3	-	-	ns
	Hold time	TDH	1	-	-	ns
Data Enable	Setup time	TES	3	-	-	ns
	Hold time	TEH	1	-	-	ns
Horizontal sync	Frequency	1/TH	-	48	60	KHz
	Pulse width	THP	2	68	-	TDCLK
Horizontal Signal	Back -porch	THB	1	80	-	TDCLK
	Display period	THD	512	512	512	TDCLK
	Front-porch	THF	0	12	-	TDCLK
	H total	TH	600	672	-	
Vertical sync	Frequency	1/TV	50	60	75	Hz
	Pulse width	TVP	1	6	-	TH
Vertical Signal	Back-porch	TVB	7	29	64	TH
	Display period	TVD	768	768	768	TH
	Front-porch	TVF	1	3	-	TH
	Vsync period + Vback-porch	TVP+TVB	8	-	64	

## 5.7 Interface Timing Definition







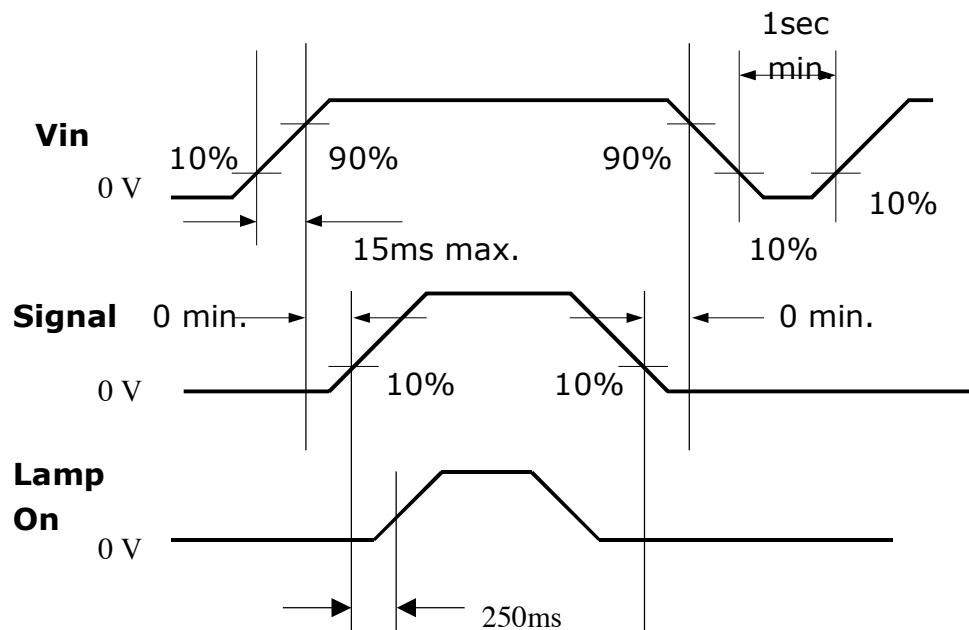
## 7.0 Power Consumption

Input power specifications are as follows;

Symbol	Parameter	Min	Typ	Max	Units	Condition
VDD	LCD Drive Voltage	3.0	3.3	3.6	[V]	
IDD	LCD Drive Current	-	1.0	1.3	[A]	VDD=3.3V, All Black Pattern
PDD	LCD Drive power consumption	-	3.3	4.3	[Watt]	VDD=3.3V, All Black Pattern
VDDns	Allowable LCD Drive Ripple Noise	-	-	100	[mV] p-p	

## 8.0 Power ON/OFF Sequence

VDD power and lamp on/off sequence is as follows. Interface signals are also shown in the chart.



## 9.0 Backlight Characteristics

### 9.1 Signal for Lamp connector

Pin #	signal Name
1	Lamp High Voltage
2	No connection
3	Ground

### 9.2 Parameter guide line for CCFL Inverter

Symble	Parameter	Min	Typ	Max	Units	Condition
IRCFL	CCFL operation range	2.5	8.0	8.5	[mA] rms	(Ta=25°C) <b>Note 4</b>
ICFL	CCFL Inrush current	-	-	20	[mA]	
FCFL	CCFL Frequency	40	55	80	[KHz]	(Ta=25°C) <b>Note 1</b>
ViCFL (25°C) (reference)	CCFL Ignition Voltage	1100	-	-	[Volt] rms	(Ta=25°C) <b>Note 3</b>
ViCFL (0°C) (reference)	CCFL Ignition Voltage	1450	-	-	[Volt] rms	(Ta=0°C) <b>Note 3</b>
VCFL	CCFL Discharge Voltage	-	620 (@8.0mA)	710 (@2.5mA)	[Volt] rms	(Ta=25°C) <b>Note 2</b>
PCFL	CCFL Power consumption @ 8mA (excluding inverter)	-	10	11	[Watt]	(Ta=25°C) <b>Note 2</b>

Note 1: CCFL Frequency should be carefully determined to avoid interference between inverter and TFT LCD

Note 2: Calculator value for reference (IRCFL × VCFL × 2 = PCFL)

Note 3: CCFL inverter should be able to give out a power that has a generating capacity of over 1450 voltage. Lamp units need 1450 voltage minimum for ignition

Note 4: CCFL life time 30,000hr at 8.0mA, it's defined as when the brightness is reduced by half.

It's recommended not to exceed 8.0 mA for CCFL life time concern and it's prohibited to exceed 8.5 mA for safety concern.

## 10.0 Vibration,Shock,and Drop

### 10.1 Vibration & Shock

The module shall work error free after following vibration and shock condition. Likewise the module shall not sustain any damage after vibration and shock test.

#### 10.1.1 Vibration Test Spec:

Frequency: 10 - 200Hz

Sweep: 30 Minutes each Axis (X, Y, Z)

Acceleration: 1.5G (10~200Hz P- P)

Test method:

<b>Acceleration (G)</b>	1.5
<b>Frequency (Hz)</b>	10~200~10
<b>Active time (min)</b>	30

#### 10.1.2 Shock Test Spec:

<b>Acceleration (G)</b>	50
<b>Active time (ms)</b>	20
<b>Wave form</b>	Half-sin
<b>Times</b>	1

Direction:  $\pm X$ ,  $\pm Y$ ,  $\pm Z$

### 10.2 Drop

Package test: The drop height is defined as 60 cm.

(1 corner,3 edges,6 flat faces)

-- No damage and defect found for panel.

## 11.0 Environment

The display module will meet the provision of this specification during operating condition or after storage or shipment condition specified below. Operation at 10% beyond the specified range will not cause physical damage to the unit.

### 11.1 Temperature and Humidity

#### 11.1.1 Operating Conditions

The display module operates error free, when operated under the following conditions;

Temperature                      0 °C to 50 °C  
Relative Humidity                20% to 85%  
Wet Bulb Temperature            39.0 °C

#### 11.1.2 Shipping Conditions

The display module operates error free, after the following conditions;

Temperature                      -20 °C to 60 °C  
Relative Humidity                5% to 95%  
Wet Bulb Temperature            39.0 °C

### 11.2 Atmospheric Pressure

The display assembly is capable of being operated without affecting its operations over the pressure range as following specified:

	Pressure	Altitude
Maximum Pressure	1040 hPa	0 m = sea level
Minimum Pressure	601 hPa	3658 m = 12,000 feet

Note: Non-operation altitude limit of this display module = 40,000 feet. = 12193 m.

### 11.3 Thermal Shock

The display module will not sustain damage after being subjected to 100 cycles of rapid temperature change. A cycle of rapid temperature change means the temperature varies from -20 °C to 60 °C, and back again.

**Thermal shock cycle**                -20 °C for 30min  
    60 °C for 30min

Power is not applied during the test. After temperature cycling, the unit is placed in normal room temperature environment for at least 4 hours before powering on.

## 12.0 Reliability

This display module and the packaging of that will comply the following standards.

### 12.1 Failure Criteria

The display assembly will be considered as a failing unit when it no longer meets any of the requirements stated in this specification. Following criteria is applicable only at maximum white luminance.

**Maximum white Luminance shall be 75 cd/m<sup>2</sup> or more.**

### 12.2 Failure Rate

The average failure rate of the display module (from first power-on cycle till 1,000 hours later) will not exceed 1.0%. The average failure rate of the display module from 1,000 hours until 10,000 hours will not exceed 0.70% per 1000 hours.

#### 12.2.1 Usage

The assumed usage for the above criteria is:

- 220 power-on hours per month
- 500 power on/off cycles per month
- Maximum brightness setting
- Operation to be within office environment (25 °C typical)

#### 12.2.2 Component De-rating

All the components used in this device will be checked the load condition to meet the failure rate criteria.

### 12.3 CCFL Life

The assumed CCFL Life will be longer than 30,000 hours under stable condition at 25±5 °C;

Standard current at 8.0 ±0.5 mA

Definition of life: brightness becomes 50% or less than the minimum luminance value of CCFL.

### 12.4 ON/OFF Cycle

The display module will be capable of being operated over the following ON/OFF Cycles.

ON/OFF	Value	Cycle
+VDD and CCFL power	36,000	10 seconds on / 10 seconds off

## 13.0 Safety

### 13.1 Sharp Edge Requirements

There will be no sharp edges or corners on the display assembly that could cause injury.

### 13.2 Materials

#### 13.2.1 Toxicity

There will be no carcinogenic materials used anywhere in the display module. If toxic materials are used, they will be reviewed and approved by the responsible AUO Toxicologist.

### 13.2.2 Flammability

All components including electrical components that do not meet the flammability grade UL94-V1 in the module will complete the flammability rating exception approval process. The printed circuit board will be made from material rated 94-V1 or better. The actual UL flammability rating will be printed on the printed circuit board.

## 14.0 Other requirements

### 14.1 Smoke Free Design

The operator in any single failure mode should sense neither smoke nor abnormal odor.

### 14.2 National Test Lab Requirement

The display module will satisfy all requirements for compliance to the following requirement:

<b>UL 1950, First Edition</b>	U.S.A. Information Technology Equipment
<b>CSA C22.2 No.950-M89</b>	Canada, Information Technology Equipment
<b>IEC 950</b>	International, Information Technology Equipment
<b>EN 60 950</b>	International, Information Processing Equipment (European Norm for IEC950)

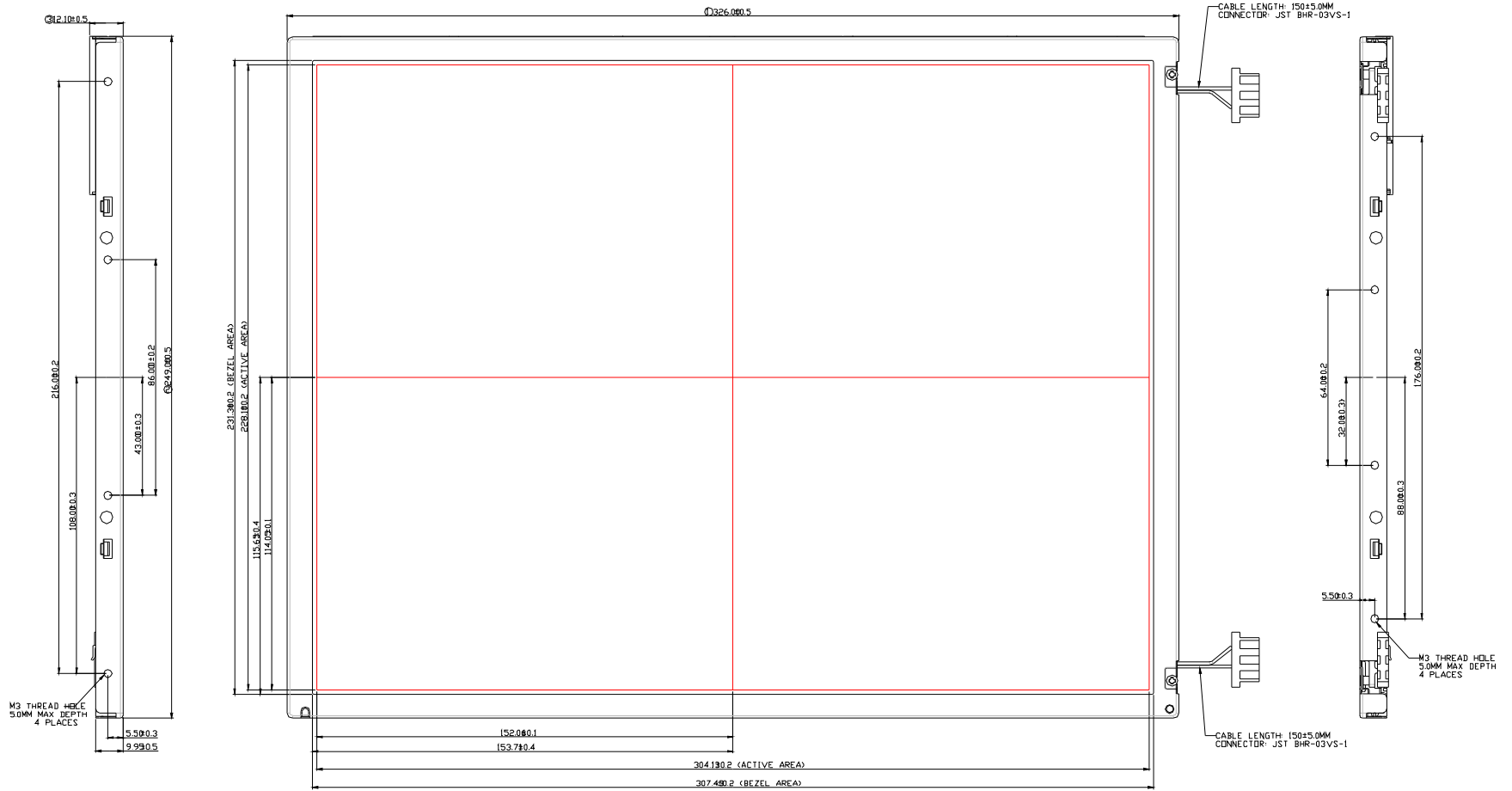
The construction of the display module is designed to suppress EMI. When mounted into a specified host system, the system will meet the following EMI requirement:

- FCC Part 15 Class B**
- VCCI Class 2**
- CISPR 22, class B**
- Taiwan CNS standard**
- China CCIB standard**

## 15.0 Label



# 16.0 Mechanical Characteristics



- NOTE:
- 1.THE DIMENSION EXCLUDES DEFORMATION.
  - 2.TOLERANCE WITHOUT NOTICED IS ±0.5mm
  - 3.LAMP CABLE CONNECTOR ARE JST BHR-03VS-1.
  - 4.TWO I/F CONNECTOR ARE FH-12-45S-05SH AND FH-12-30S-05SH.
  - 5.TORQUE OF M2 STAND-OFF IS 2.0 KGF-CM MAX.
  - 6.TORQUE OF M3 SCREW HOLE ON BEZEL IS WITHIN 4.00000000 IN 10 TIMES OF
  - 7.GAP BETWEEN BEZEL FRONT AND SHIELDING PLATE TO BE 0.5mm Max.
  - 8.CHECK CAGE -

